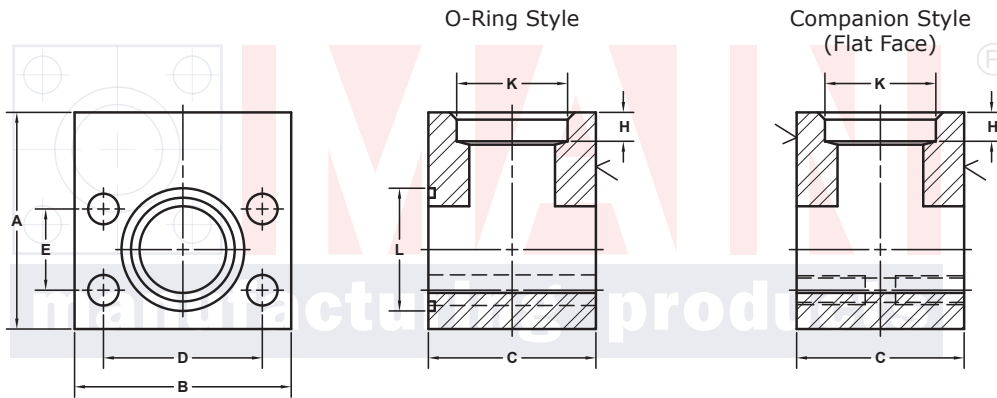


SOCKET WELD TUBE RUN TEE FLANGES

SAE J518 61 SERIES / ISO6162-1 PATTERN

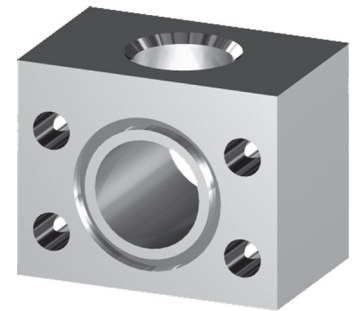
FLANGE SIZE	TUBE SIZE	PART NUMBER	A	B	C	D	E	H	K	L	O-RING [Ⓢ]	WT
1/2	1/2	1193-08-08M8	1.75	2.12	1.44	1.500	.688	.38	.510	1.000	210	1.2
		1194-08-08M8								---	---	
1/2	3/4	1193-08-12M8	1.75	2.12	1.44	1.500	.688	.38	.760	1.000	210	1.2
		1194-08-12M8								---	---	
3/4	3/4	1193-12-12M10	2.00	2.62	1.70	1.875	.875	.50	.760	1.250	214	2.0
		1194-12-12M10								---	---	
3/4	1	1193-12-16M10	2.00	2.62	1.70	1.875	.875	.50	1.010	1.250	214	1.9
		1194-12-16M10								---	---	
1	1	1193-16-16M10	2.25	2.82	1.94	2.062	1.031	.50	1.010	1.562	219	2.6
		1194-16-16M10								---	---	
1	1 1/4	1193-16-20M10	2.25	2.82	1.94	2.062	1.031	.50	1.260	1.562	219	2.5
		1194-16-20M10								---	---	
1 1/4	1 1/4	1193-20-20M10 ⁺	2.75	3.19	2.40	2.312	1.188	.50	1.260	1.750	222	4.4
		1194-20-20M10 ⁺								---	---	
1 1/4	1 1/2	1193-20-24M10 ⁺	2.75	3.19	2.40	2.312	1.188	.50	1.510	1.750	222	4.2
		1194-20-24M10 ⁺								---	---	
1 1/2	1 1/2	1193-24-24M12 ⁺	3.00	3.75	2.90	2.750	1.406	.50	1.510	2.125	225	6.6
		1194-24-24M12 ⁺								---	---	
1 1/2	1 3/4	1193-24-28M12 ⁺	3.00	3.75	2.90	2.750	1.406	.50	1.760	2.125	225	6.5
		1194-24-28M12 ⁺								---	---	
1 1/2	2	1193-24-32M12 ⁺	3.00	3.75	2.90	2.750	1.406	.50	2.010	2.125	225	6.4
		1194-24-32M12 ⁺								---	---	

MATERIAL:
Low Carbon Steel



Model 1193 / 1195

Model 1194 / 1196



3181 TRI-PARK DR. GRAND BLANC, MI 48439 800-521-7918 810-953-1380 FAX 810-953-1385 INFO@MAINMFG.COM

SAE J518 62 SERIES / ISO6162-2 PATTERN

FLANGE SIZE	TUBE SIZE	PART NUMBER	A	B	C	D	E	H	K	L	O-RING [Ⓢ]	WT
1/2	3/4	1195-08-12M8	2.00	2.22	1.46	1.594	.718	.38	.760	1.000	210	1.5
		1196-08-12M8								---	---	
3/4	1	1195-12-16M10	2.25	2.81	1.70	2.000	.937	.50	1.010	1.250	214	2.4
		1196-12-16M10								---	---	
1	1	1195-16-16M12	2.50	3.19	2.21	2.250	1.093	.50	1.010	1.562	219	3.9
		1196-16-16M12								---	---	
1	1 1/4	1195-16-20M12	2.50	3.19	2.21	2.250	1.093	.50	1.260	1.562	219	3.8
		1196-16-20M12								---	---	
1 1/4	1 1/4	1195-20-20M12 ⁺	3.00	3.75	2.44	2.625	1.250	.50	1.260	1.750	222	6.0
		1196-20-20M12 ⁺								---	---	
1 1/4	1 1/2	1195-20-24M12 ⁺	3.00	3.75	2.44	2.625	1.250	.50	1.510	1.750	222	5.8
		1196-20-24M12 ⁺								---	---	
1 1/2	1 3/4	1195-24-28M16	3.50	4.50	2.96	3.125	1.437	.50	1.760	2.125	225	9.9
		1196-24-28M16								---	---	
1 1/2	2	1195-24-32M16	3.50	4.50	2.96	3.125	1.437	.50	2.010	2.125	225	9.7
		1196-24-32M16								---	---	

Ⓢ Includes Buna N O-Ring

NOTE: DIMENSIONS ARE IN INCHES UNLESS OTHERWISE NOTED. + Also Available for M12 Bolts † Also Available for M14 Bolts

© Copyright MAIN Mfg. 2017