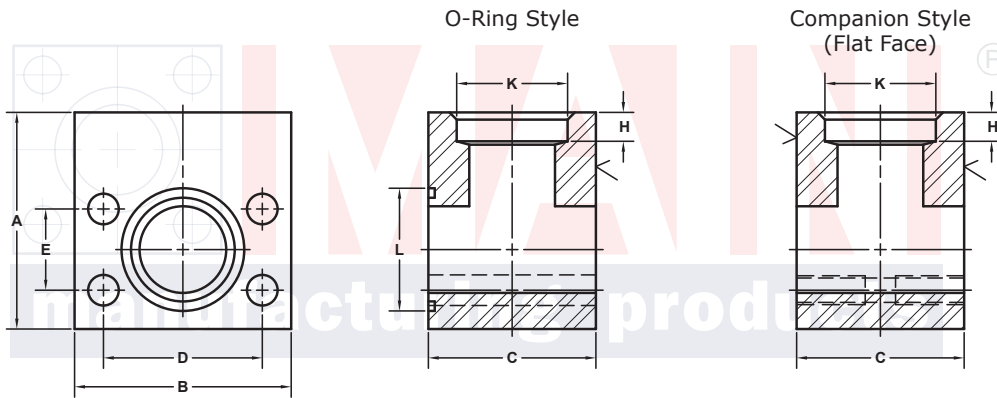


SOCKET WELD PIPE RUN TEE FLANGES

SAE J518 61 SERIES / ISO6162-1 PATTERN

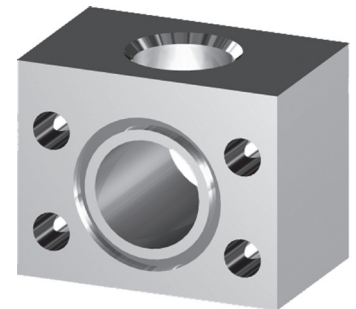
FLANGE SIZE	PIPE SIZE	PART NUMBER	A	B	C	D	E	H	K	L	O-RING ^①	WT
1/2	1/2	1189-08-08M8	1.75	2.12	1.44	1.500	.688	.38	.860	1.000	210	1.3
		1190-08-08M8								---	---	
3/4	3/4	1189-12-12M10	2.00	2.62	1.70	1.875	.875	.50	1.070	1.250	214	2.0
		1190-12-12M10								---	---	
1	1	1189-16-16M10	2.25	2.82	1.94	2.062	1.031	.50	1.335	1.562	219	2.7
		1190-16-16M10								---	---	
1 1/4	1 1/4	1189-20-20M10 ⁺	2.75	3.19	2.40	2.312	1.188	.50	1.680	1.750	222	4.8
		1190-20-20M10 ⁺								---	---	
1 1/2	1 1/2	1189-24-24M12 [‡]	3.00	3.75	2.90	2.750	1.406	.50	1.920	2.125	225	7.0
		1190-24-24M12 [‡]								---	---	
2	2	1189-32-32M12 [‡]	3.50	4.00	3.40	3.062	1.688	.50	2.411	2.500	228	9.5
		1190-32-32M12 [‡]								---	---	
2 1/2 ^②	2 1/2	1189-40-40M12 [‡]	4.00	4.50	3.96	3.500	2.000	.50	2.911	3.000	232	15.0
		1190-40-40M12 [‡]								---	---	
3 ^③	3	1189-48-48M16	5.00	5.31	4.96	4.188	2.438	.62	3.540	3.625	237	27.2
		1190-48-48M16								---	---	
3 1/2 ^④	3 1/2	1189-56-56M16	5.50	6.00	5.40	4.750	2.750	.62	4.045	4.109	241	37.0
		1190-56-56M16								---	---	
4 ^④	4	1189-64-64M16	6.00	6.38	5.96	5.125	3.062	.62	4.550	4.609	245	48.0
		1190-64-64M16								---	---	
5 ^④	5	1189-80-80M16	7.00	7.25	6.90	6.000	3.625	.62	5.635	5.609	253	60.0
		1190-80-80M16								---	---	

MATERIAL:
Low Carbon Steel



Model 1189 / 1191

Model 1190 / 1192



3181 TRI-PARK DR. GRAND BLANC, MI 48439 800-521-7918 810-953-1380 FAX 810-953-1385 INFO@MAINMFG.COM

SAE J518 62 SERIES / ISO6162-2 PATTERN

FLANGE SIZE	PIPE SIZE	PART NUMBER	A	B	C	D	E	H	K	L	O-RING ^①	WT
1/2	1/2	1191-08-08M8	2.00	2.22	1.46	1.594	.718	.38	.860	1.000	210	1.5
		1192-08-08M8								---	---	
3/4	3/4	1191-12-12M10	2.25	2.81	1.70	2.000	.937	.50	1.070	1.250	214	2.5
		1192-12-12M10								---	---	
1	1	1191-16-16M12	2.50	3.19	2.21	2.250	1.093	.50	1.335	1.562	219	4.5
		1192-16-16M12								---	---	
1 1/4	1 1/4	1191-20-20M12 [‡]	3.00	3.75	2.44	2.625	1.250	.50	1.680	1.750	222	6.5
		1192-20-20M12 [‡]								---	---	
1 1/2	1 1/2	1191-24-24M16	3.50	4.50	2.96	3.125	1.437	.50	1.920	2.125	225	10.0
		1192-24-24M16								---	---	
2	2	1191-32-32M20	4.00	5.25	3.46	3.812	1.750	.50	2.411	2.500	228	15.0
		1192-32-32M20								---	---	
2 1/2	2 1/2	1191-40-40M24	5.50	6.88	4.50	4.875	2.312	.62	2.911	3.000	232	34.2
		1192-40-40M24								---	---	
3	3	1191-48-48M30	6.00	8.50	5.00	6.000	2.812	.62	3.540	3.625	237	48.0
		1192-48-48M30								---	---	

① Includes Buna-N O-Ring ② 2500 PSI Max ③ 2000 PSI Max ④ 500 PSI Max

NOTE: DIMENSIONS ARE IN INCHES UNLESS OTHERWISE NOTED. + Also Available for M12 Bolts ‡ Also Available for M14 Bolts

© Copyright MAIN Mfg. 2017