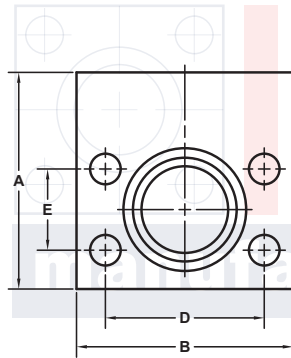
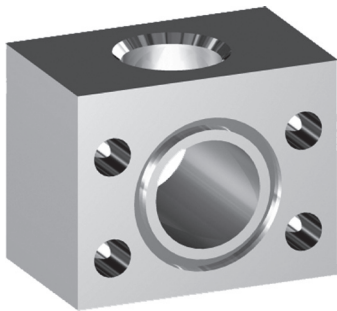


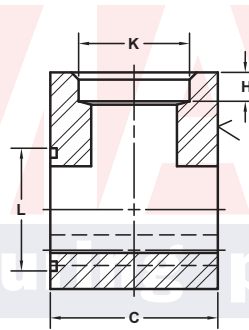
SOCKET WELD PIPE RUN TEE FLANGES (Pg 1/2)

SAE BOLT PATTERN			61 SERIES									
FLANGE SIZE	PIPE SIZE	PART NUMBER	A	B	C	D	E	H	K	L	O-RING [®]	WT
1/2	1/2	1189-08-08	1.75	2.12	1.44	1.500	.688	.38	.860	1.000	210	1.3
		1190-08-08								---	---	
3/4	1/2	1189-12-08	2.00	2.62	1.70	1.875	.875	.38	.860	1.250	214	2.1
		1190-12-08								---	---	
3/4	3/4	1189-12-12	2.00	2.62	1.70	1.875	.875	.50	1.070	1.250	214	2.0
		1190-12-12								---	---	
1	3/4	1189-16-12	2.25	2.82	1.94	2.062	1.031	.50	1.070	1.562	219	2.8
		1190-16-12								---	---	
1	1	1189-16-16	2.25	2.82	1.94	2.062	1.031	.50	1.335	1.562	219	2.7
		1190-16-16								---	---	
1 1/4	1	1189-20-16	2.75	3.19	2.40	2.312	1.188	.50	1.335	1.750	222	4.6
		1190-20-16								---	---	
1 1/4	1 1/4	1189-20-20	2.75	3.19	2.40	2.312	1.188	.50	1.680	1.750	222	4.4
		1190-20-20								---	---	
1 1/4	1 1/2	1189-20-24	3.00	3.19	3.00	2.312	1.188	.50	1.920	1.750	222	5.9
		1190-20-24								---	---	
1 1/2	1 1/4	1189-24-20	3.00	3.75	2.90	2.750	1.406	.50	1.680	2.125	225	6.8
		1190-24-20								---	---	
1 1/2	1 1/2	1189-24-24	3.00	3.75	2.90	2.750	1.406	.50	1.920	2.125	225	6.5
		1190-24-24								---	---	
1 1/2	2	1189-24-32	3.50	3.75	3.50	2.750	1.406	.50	2.411	2.125	225	9.2
		1190-24-32								---	---	

MATERIAL:
Low Carbon Steel

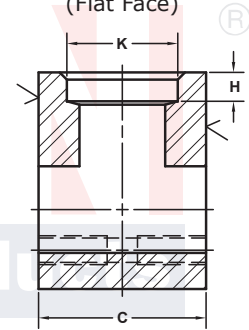


O-Ring Style



Model 1189 / 1191

Companion Style (Flat Face)



Model 1190 / 1192

3181 TRI-PARK DR. GRAND BLANC, MI 48439 800-521-7918 810-953-1380 FAX 810-953-1385 INFO@MAINMFG.COM

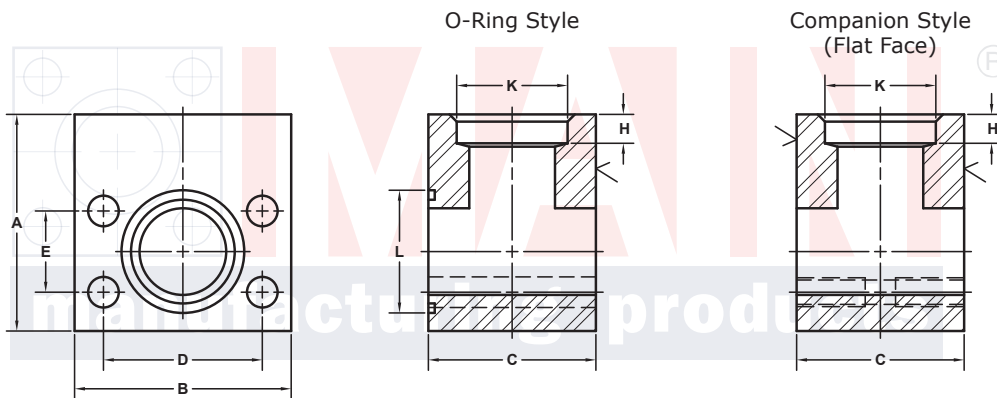
SAE BOLT PATTERN			62 SERIES									
FLANGE SIZE	PIPE SIZE	PART NUMBER	A	B	C	D	E	H	K	L	O-RING [®]	WT
1/2	1/2	1191-08-08	2.00	2.22	1.46	1.594	.718	.38	.860	1.000	210	1.5
		1192-08-08								---	---	
3/4	1/2	1191-12-08	2.25	2.81	1.70	2.000	.937	.38	.860	1.250	214	2.6
		1192-12-08								---	---	
3/4	3/4	1191-12-12	2.25	2.81	1.70	2.000	.937	.50	1.070	1.250	214	2.5
		1192-12-12								---	---	
1	3/4	1191-16-12	2.50	3.19	2.21	2.250	1.093	.50	1.070	1.562	219	3.9
		1192-16-12								---	---	
1	1	1191-16-16	2.50	3.19	2.21	2.250	1.093	.50	1.335	1.562	219	3.8
		1192-16-16								---	---	
1 1/4	1	1191-20-16	3.00	3.75	2.44	2.625	1.250	.50	1.335	1.750	222	6.0
		1192-20-16								---	---	
1 1/4	1 1/4	1191-20-20	3.00	3.75	2.44	2.625	1.250	.50	1.680	1.750	222	5.9
		1192-20-20								---	---	
1 1/4	1 1/2	1191-20-24	3.00	3.75	3.00	2.625	1.250	.50	1.920	1.750	222	7.1
		1192-20-24								---	---	

① Includes Buna-N O-Ring

SOCKET WELD PIPE RUN TEE FLANGES (Pg 2/2)

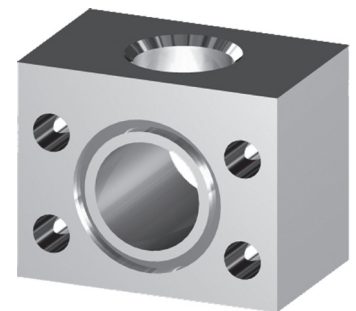
SAE BOLT PATTERN			61 SERIES									
FLANGE SIZE	PIPE SIZE	PART NUMBER	A	B	C	D	E	H	K	L	O-RING ^①	WT
2	1 1/4	1189-32-20	3.50	4.00	3.40	3.062	1.688	.50	1.680	2.500	228	9.4
		1190-32-20								---	---	
2	1 1/2	1189-32-24	3.50	4.00	3.40	3.062	1.688	.50	1.920	2.500	228	9.2
		1190-32-24								---	---	
2	2	1189-32-32	3.50	4.00	3.40	3.062	1.688	.50	2.411	2.500	228	9.0
		1190-32-32								---	---	
2 1/2 ^②	2	1189-40-32	4.00	4.50	3.96	3.500	2.000	.50	2.411	3.000	232	13.2
		1190-40-32								---	---	
2 1/2 ^②	2 1/2	1189-40-40	4.00	4.50	3.96	3.500	2.000	.50	2.911	3.000	232	12.6
		1190-40-40								---	---	
3 ^③	2 1/2	1189-48-40	5.00	5.31	4.96	4.188	2.438	.50	2.911	3.625	237	23.9
		1190-48-40								---	---	
3 ^③	3	1189-48-48	5.00	5.31	4.96	4.188	2.438	.62	3.540	3.625	237	22.6
		1190-48-48								---	---	
3 1/2 ^④	3	1189-56-48	5.50	6.00	5.40	4.750	2.750	.62	3.540	4.109	241	31.0
		1190-56-48								---	---	
3 1/2 ^④	3 1/2	1189-56-56	5.50	6.00	5.40	4.750	2.750	.62	4.045	4.109	241	29.7
		1190-56-56								---	---	
4 ^④	4	1189-64-64	6.00	6.38	5.96	5.125	3.062	.62	4.550	4.609	245	35.7
		1190-64-64								---	---	
5 ^④	5	1189-80-80	7.00	7.25	6.90	6.000	3.625	.62	5.635	5.609	253	50.0
		1190-80-80								---	---	

MATERIAL:
Low Carbon Steel



Model 1189 / 1191

Model 1190 / 1192



3181 TRI-PARK DR. GRAND BLANC, MI 48439 800-521-7918 810-953-1380 FAX 810-953-1385 INFO@MAINMFG.COM

SAE BOLT PATTERN			62 SERIES									
FLANGE SIZE	PIPE SIZE	PART NUMBER	A	B	C	D	E	H	K	L	O-RING ^①	WT
1 1/2	1 1/4	1191-24-20	3.50	4.50	2.96	3.125	1.437	.50	1.680	2.125	225	10.1
		1192-24-20								---	---	
1 1/2	1 1/2	1191-24-24	3.50	4.50	2.96	3.125	1.437	.50	1.920	2.125	225	10.0
		1192-24-24								---	---	
1 1/2	2	1191-24-32	3.50	4.50	3.50	3.125	1.437	.50	2.411	2.125	225	11.4
		1192-24-32								---	---	
2	1 1/2	1191-32-24	4.00	5.25	3.46	3.812	1.750	.50	1.920	2.500	228	15.2
		1192-32-24								---	---	
2	2	1191-32-32	4.00	5.25	3.46	3.812	1.750	.50	2.411	2.500	228	14.7
		1192-32-32								---	---	
2 1/2	2	1191-40-32	5.50	6.88	4.50	4.875	2.312	.50	2.411	3.000	232	37.0
		1192-40-32								---	---	
2 1/2	2 1/2	1191-40-40	5.50	6.88	4.50	4.875	2.312	.62	2.911	3.000	232	36.0
		1192-40-40								---	---	
3	3	1191-48-48	6.00	8.50	5.00	6.000	2.812	.62	3.540	3.625	237	52.5
		1192-48-48								---	---	

① Includes Buna-N O-Ring ② 2500 PSI Max ③ 2000 PSI Max ④ 500 PSI Max