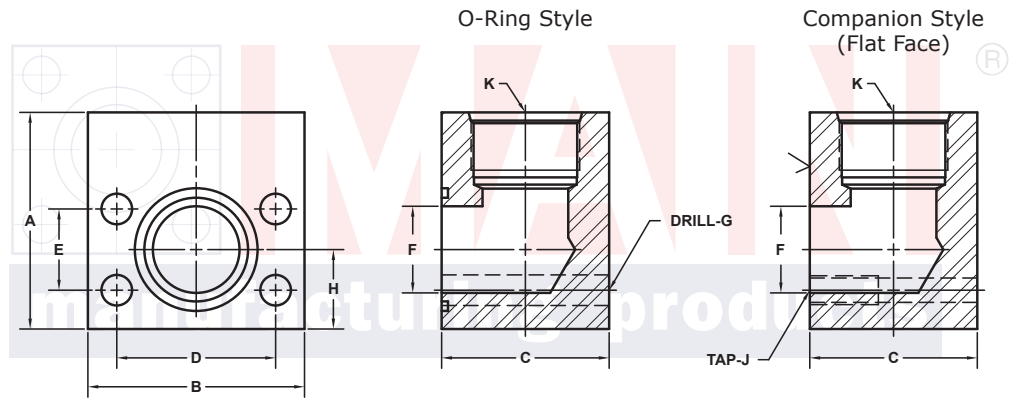
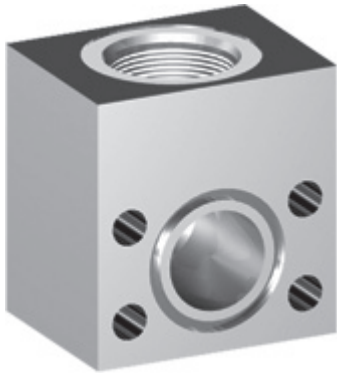


SAE J1926 THREADED ELBOW FLANGES (Pg 1/2)

SAE J518 61 SERIES / ISO6162-1 PATTERN

FLANGE SIZE	ORB	PART NUMBER	A	B	C	D	E	F	Gmm Jmm	H	K	MOUNTING KIT®			WT
												PART NO.	SCREW SIZE	O-RING	
1/2	-4	1177-08-04M8	2.00	2.12	1.44	1.500	.688	.50	8.5	.75	7/16-20	MKM 541	M8 x 50	210	1.6
		M8x1.25							-----			---			
1/2	-6	1177-08-06M8	2.00	2.12	1.44	1.500	.688	.50	8.5	.75	9/16-18	MKM 541	M8 x 50	210	1.5
		M8x1.25							-----			---			
1/2	-8	1177-08-08M8	2.00	2.12	1.44	1.500	.688	.50	8.5	.75	3/4-16	MKM 541	M8 x 50	210	1.5
		M8x1.25							-----			---			
3/4	-8	1177-12-08M10	2.50	2.62	1.70	1.875	.875	.75	10.5	.88	3/4-16	MKM 542	M10 x 60	214	2.8
		M10x1.5							-----			---			
3/4	-10	1177-12-10M10	2.50	2.62	1.70	1.875	.875	.75	10.5	.88	7/8-14	MKM 542	M10 x 60	214	2.7
		M10x1.5							-----			---			
3/4	-12	1177-12-12M10	2.50	2.62	1.70	1.875	.875	.75	10.5	.88	1 1/16-12	MKM 542	M10 x 60	214	2.5
		M10x1.5							-----			---			
3/4	-16	1177-12-16M10	3.00	2.62	2.00	1.875	.875	.75	10.5	.88	1 5/16-12	MKM	M10 x	214	3.4
		M10x1.5							-----			---			
1	-12	1177-16-12M10	3.00	2.82	1.94	2.062	1.031	1.00	10.5	1.00	1 1/16-12	MKM 543	M10 x 65	219	4.0
		M10x1.5							-----			---			
1	-14	1177-16-14M10	3.00	2.82	1.94	2.062	1.031	1.00	10.5	1.00	1 3/16-12	MKM 543	M10 x 65	219	3.9
		M10x1.5							-----			---			
1	-16	1177-16-16M10	3.00	2.82	1.94	2.062	1.031	1.00	10.5	1.00	1 5/16-12	MKM 543	M10 x 65	219	3.7
		M10x1.5							-----			---			
1	-20	1177-16-20M10	3.50	2.82	2.50	2.062	1.031	1.00	10.5	1.00	1 5/8-12	MKM 577	M10 x 80	219	4.4
		M10x1.5							-----			---			

MATERIAL:
Low Carbon Steel[®]



Model 1177 / 1179

Model 1178 / 1180

3181 TRI-PARK DR. GRAND BLANC, MI 48439 800-521-7918 810-953-1380 FAX 810-953-1385 INFO@MAINMFG.COM

SAE J518 62 SERIES / ISO6162-2 PATTERN

FLANGE SIZE	ORB	PART NUMBER	A	B	C	D	E	F	Gmm Jmm	H	K	MOUNTING KIT®			WT
												PART NO.	SCREW SIZE	O-RING	
1/2	-6	1179-08-06M8	2.00	2.22	1.46	1.594	.718	.50	8.5	.88	9/16-18	MKM 541	M8 x 50	210	1.6
		M8x1.25							-----			---			
1/2	-8	1179-08-08M8	2.00	2.22	1.46	1.594	.718	.50	8.5	.88	3/4-16	MKM 541	M8 x 50	210	1.6
		M8x1.25							-----			---			
3/4	-8	1179-12-08M10	2.50	2.81	1.70	2.000	.937	.75	10.5	1.00	3/4-16	MKM 542	M10 x 60	214	3.1
		M10x1.5							-----			---			
3/4	-10	1179-12-10M10	2.50	2.81	1.70	2.000	.937	.75	10.5	1.00	7/8-14	MKM 542	M10 x 60	214	3.0
		M10x1.5							-----			---			
3/4	-12	1179-12-12M10	2.50	2.81	1.70	2.000	.937	.75	10.5	1.00	1 1/16-12	MKM 542	M10 x 60	214	2.8
		M10x1.5							-----			---			
1	-12	1179-16-12M12	3.00	3.19	1.96	2.250	1.093	1.00	12.5	1.12	1 1/16-12	MKM 551	M12 x 70	219	4.6
		M12x1.75							-----			---			
1	-14	1179-16-14M12	3.00	3.19	1.96	2.250	1.093	1.00	12.5	1.12	1 3/16-12	MKM 551	M12 x 70	219	4.5
		M12x1.75							-----			---			
1	-16	1179-16-16M12	3.00	3.19	1.96	2.250	1.093	1.00	12.5	1.12	1 5/16-12	MKM 551	M12 x 70	219	4.3
		M12x1.75							-----			---			

① Order Separately

® May Contain Lead

NOTE: The Pressure Rating of the Assembly Should NOT Exceed the Lower of the Flange Pad or the Fitting. Check the Fitting Manufacturer for Details.

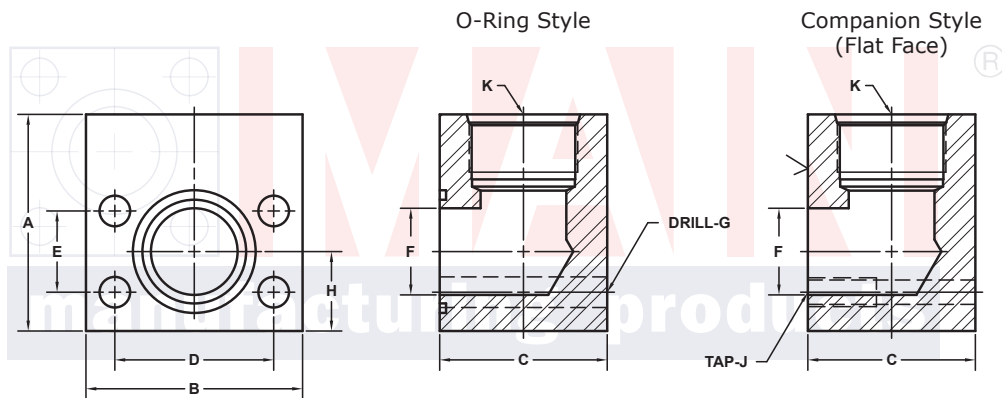
26 NOTE: DIMENSIONS ARE IN INCHES UNLESS OTHERWISE NOTED. † Also Available for M12 Bolts ‡ Also Available for M14 Bolts

SAE J1926 THREADED ELBOW FLANGES (Pg 2/2)

SAE J518 61 SERIES / ISO6162-1 PATTERN

FLANGE SIZE	ORB	PART NUMBER	A	B	C	D	E	F	Gmm	H	K	MOUNTING KIT [Ⓢ]			WT
									Jmm			PART NO.	SCREW SIZE	O-RING	
1 1/4	-16	1177-20-16M10 ⁺	3.50	3.19	2.40	2.312	1.188	1.25	10.5	1.25	1 5/16-12	MKM 4532	M10 x 75	222	6.3
		1178-20-16M10 ⁺							M10x1.5			-----	---		
1 1/4	-20	1177-20-20M10 ⁺	3.50	3.19	2.40	2.312	1.188	1.25	10.5	1.25	1 5/8-12	MKM 4532	M10 x 75	222	6.1
		1178-20-20M10 ⁺							M10x1.5			-----	---		
1 1/4	-24	1177-20-24M10 ⁺	4.00	3.19	3.00	2.312	1.188	1.25	10.5	1.25	1 7/8-12	MKM 4597	M10 x 90	222	8.1
		1178-20-24M10 ⁺							M10x1.5			-----	---		
1 1/2	-16	1177-24-16M12 ⁺	4.00	3.75	2.90	2.750	1.406	1.50	13.0	1.38	1 5/16-12	MKM 4533	M12 x 90	225	10.1
		1178-24-16M12 ⁺							M12x1.75			-----	---		
1 1/2	-20	1177-24-20M12 ⁺	4.00	3.75	2.90	2.750	1.406	1.50	13.0	1.38	1 5/8-12	MKM 4533	M12 x 90	225	10.0
		1178-24-20M12 ⁺							M12x1.75			-----	---		
1 1/2	-24	1177-24-24M12 ⁺	4.00	3.75	2.90	2.750	1.406	1.50	13.0	1.38	1 7/8-12	MKM 4533	M12 x 90	225	9.8
		1178-24-24M12 ⁺							M12x1.75			-----	---		
1 1/2	-32	1177-24-32M12 ⁺	4.00	4.00	4.00	2.750	1.406	1.50	13.0	1.38	2 1/2-12	MKM 4566	M12 x 120	225	13.6
		1178-24-32M12 ⁺							M12x1.75			-----	---		
2	-16	1177-32-16M12 ⁺	4.50	4.00	3.00	3.062	1.688	1.94	13.0	1.62	1 5/16-12	MKM 4547	M12 x 90	228	12.0
		1178-32-16M12 ⁺							M12x1.75			-----	---		
2	-20	1177-32-20M12 ⁺	4.50	4.00	3.00	3.062	1.688	1.94	13.0	1.62	1 5/8-12	MKM 4547	M12 x 90	228	11.6
		1178-32-20M12 ⁺							M12x1.75			-----	---		
2	-24	1177-32-24M12 ⁺	4.50	4.00	3.00	3.062	1.688	1.94	13.0	1.62	1 7/8-12	MKM 4547	M12 x 90	228	11.1
		1178-32-24M12 ⁺							M12x1.75			-----	---		
2	-32	1177-32-32M12 ⁺	4.25	4.00	3.94	3.062	1.688	1.94	13.0	1.62	2 1/2-12	MKM 3550	M12 x 120	228	13.9
		1178-32-32M12 ⁺							M12x1.75			-----	---		

MATERIAL:
Low Carbon Steel[®]



Model 1177 / 1179

Model 1178 / 1180



3181 TRI-PARK DR. GRAND BLANC, MI 48439 800-521-7918 810-953-1380 FAX 810-953-1385 INFO@MAINMFG.COM

SAE J518 62 SERIES / ISO6162-2 PATTERN

FLANGE SIZE	ORB	PART NUMBER	A	B	C	D	E	F	Gmm	H	K	MOUNTING KIT [Ⓢ]			WT
									Jmm			PART NO.	SCREW SIZE	O-RING	
1 1/4	-16	1179-20-16M12 ⁺	4.00	3.75	2.40	2.625	1.250	1.25	13.0	1.38	1 5/16-12	MKM 578	M12 x 80	222	8.6
		1180-20-16M12 ⁺							M12x1.75			-----	---		
1 1/4	-20	1179-20-20M12 ⁺	4.00	3.75	2.40	2.625	1.250	1.25	13.0	1.38	1 5/8-12	MKM 578	M12 x 80	222	8.6
		1180-20-20M12 ⁺							M12x1.75			-----	---		
1 1/2	-16	1179-24-16M16	4.00	4.50	2.96	3.125	1.437	1.50	17.0	1.62	1 5/16-12	MKM 553	M16 x 100	225	12.7
		1180-24-16M16							M16x2			-----	---		
1 1/2	-20	1179-24-20M16	4.00	4.50	2.96	3.125	1.437	1.50	17.0	1.62	1 5/8-12	MKM 553	M16 x 100	225	12.5
		1180-24-20M16							M16x2			-----	---		
1 1/2	-24	1179-24-24M16	4.00	4.50	2.96	3.125	1.437	1.50	17.0	1.62	1 7/8-12	MKM 553	M16 x 100	225	12.2
		1180-24-24M16							M16x2			-----	---		
2	-20	1179-32-20M20	5.00	5.25	3.46	3.812	1.750	1.94	21.0	2.00	1 5/8-12	MKM 554	M20 x 120	228	15.9
		1180-32-20M20							M20x2.5			-----	---		
2	-24	1179-32-24M20	5.00	5.25	3.46	3.812	1.750	1.94	21.0	2.00	1 7/8-12	MKM 554	M20 x 120	228	15.5
		1180-32-24M20							M20x2.5			-----	---		
2	-32	1179-32-32M20	5.00	5.25	3.94	3.812	1.750	1.94	21.0	2.00	2 1/2-12	MKM 1507	M20 x 130	228	21.1
		1180-32-32M20							M20x2.5			-----	---		

① Order Separately

⑧ May Contain Lead

NOTE: The Pressure Rating of the Assembly Should NOT Exceed the Lower of the Flange Pad or the Fitting. Check the Fitting Manufacturer for Details.
NOTE: DIMENSIONS ARE IN INCHES UNLESS OTHERWISE NOTED. + Also Available for M12 Bolts † Also Available for M14 Bolts

© Copyright MAIN Mfg. 2017