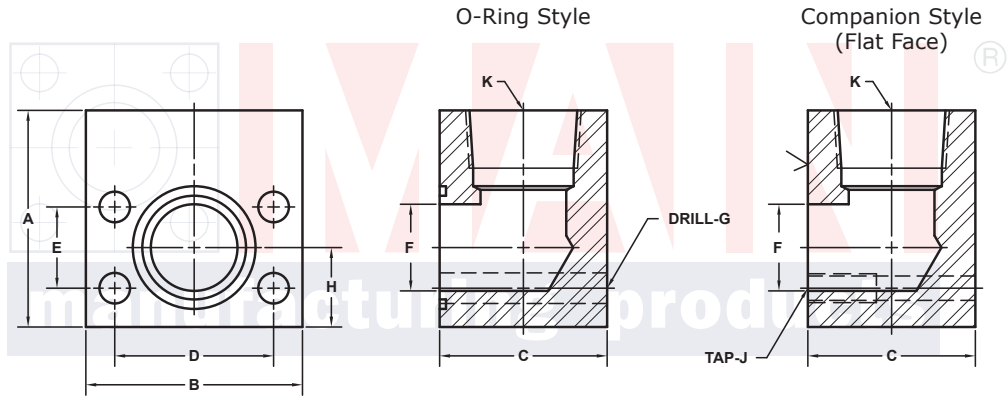
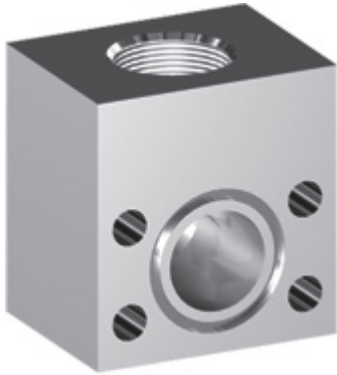


NPTF THREADED ELBOW FLANGES (Pg 1/2)

SAE J518 61 SERIES / ISO6162-1 PATTERN

FLANGE SIZE	PIPE SIZE	PART NUMBER	A	B	C	D	E	F	Gmm	H	K NPTF	MOUNTING KIT®			WT
									Jmm			PART NO.	SCREW SIZE	O-RING	
1/2	1/2	1161-08-08M8	2.00	2.12	1.44	1.500	.688	.50	8.5	.75	1/2	MKM 541	M8 x 50	210	1.5
		M8x1.25							-----			---			
3/4	1/2	1161-12-08M10	2.50	2.62	1.70	1.875	.875	.75	10.5	.88	1/2	MKM 542	M10 x 60	214	2.7
		M10x1.5							-----			---			
3/4	3/4	1161-12-12M10	2.50	2.62	1.70	1.875	.875	.75	10.5	.88	3/4	MKM 542	M10 x 60	214	2.6
		M10x1.5							-----			---			
1	3/4	1161-16-12M10	3.00	2.82	1.94	2.062	1.031	1.00	10.5	1.00	3/4	MKM 543	M10 x 65	219	3.9
		M10x1.5							-----			---			
1	1	1161-16-16M10	3.00	2.82	1.94	2.062	1.031	1.00	10.5	1.00	1	MKM 543	M10 x 65	219	3.5
		M10x1.5							-----			---			
1 1/4	1	1161-20-16M10†	3.50	3.19	2.40	2.312	1.188	1.25	10.5	1.25	1	MKM 4532	M10 x 75	222	6.5
		M10x1.5							-----			---			
1 1/4	1 1/4	1161-20-20M10†	3.50	3.19	2.40	2.312	1.188	1.25	10.5	1.25	1 1/4	MKM 4532	M10 x 75	222	6.2
		M10x1.5							-----			---			
1 1/4	1 1/2	1161-20-24M10†	4.00	3.19	3.00	2.312	1.188	1.25	10.5	1.25	1 1/2	MKM 4597	M10 x 90	222	6.0
		M10x1.5							-----			---			
1 1/2	1 1/4	1161-24-20M10†	4.00	3.75	2.90	2.750	1.406	1.50	13.0	1.38	1 1/4	MKM 4533	M12 x 90	225	10.0
		M12x1.75							-----			---			
1 1/2	1 1/2	1161-24-24M12‡	4.00	3.75	2.90	2.750	1.406	1.50	13.0	1.38	1 1/2	MKM 4533	M12 x 90	225	9.9
		M12x1.75							-----			---			
1 1/2	2	1161-24-32M12‡	4.00	3.75	2.90	2.750	1.406	1.50	13.0	1.38	2	MKM 4533	M12 x 90	225	8.9
		M12x1.75							-----			---			

MATERIAL:
Low Carbon Steel®



Model 1161 / 1163

Model 1162 / 1164

3181 TRI-PARK DR. GRAND BLANC, MI 48439 800-521-7918 810-953-1380 FAX 810-953-1385 INFO@MAINMFG.COM

SAE J518 62 SERIES / ISO6162-2 PATTERN

FLANGE SIZE	PIPE SIZE	PART NUMBER	A	B	C	D	E	F	Gmm	H	K NPTF	MOUNTING KIT®			WT
									Jmm			PART NO.	SCREW SIZE	O-RING	
1/2	1/2	1163-08-08M8	2.00	2.22	1.46	1.594	.718	.50	8.5	.88	1/2	MKM 541	M8 x 50	210	1.6
		M8x1.25							-----			---			
3/4	1/2	1163-12-08M10	2.50	2.81	1.70	2.000	.937	.75	10.5	1.00	1/2	MKM 542	M10 x 60	214	2.9
		M10x1.5							-----			---			
3/4	3/4	1163-12-12M10	2.50	2.81	1.70	2.000	.937	.75	10.5	1.00	3/4	MKM 542	M10 x 60	214	2.8
		M10x1.5							-----			---			
1	3/4	1163-16-12M12	3.00	3.19	1.96	2.250	1.093	1.00	12.5	1.12	3/4	MKM 551	M12 x 70	219	4.6
		M12x1.75							-----			---			
1	1	1163-16-16M12	3.00	3.19	1.96	2.250	1.093	1.00	12.5	1.12	1	MKM 551	M12 x 70	219	4.4
		M12x1.75							-----			---			
1 1/4	1	1163-20-16M12‡	4.00	3.75	2.44	2.625	1.250	1.25	13.0	1.38	1	MKM 578	M12 x 80	222	6.9
		M12x1.75							-----			---			
1 1/4	1 1/4	1163-20-20M12‡	4.00	3.75	2.44	2.625	1.250	1.25	13.0	1.38	1 1/4	MKM 578	M12 x 80	222	6.7
		M12x1.75							-----			---			
1 1/4	1 1/2	1163-20-24M12‡	4.00	3.75	3.00	2.625	1.250	1.25	13.0	1.38	1 1/2	MKM 5551	M12 x 90	222	9.9
		M12x1.75							-----			---			

① Order Separately

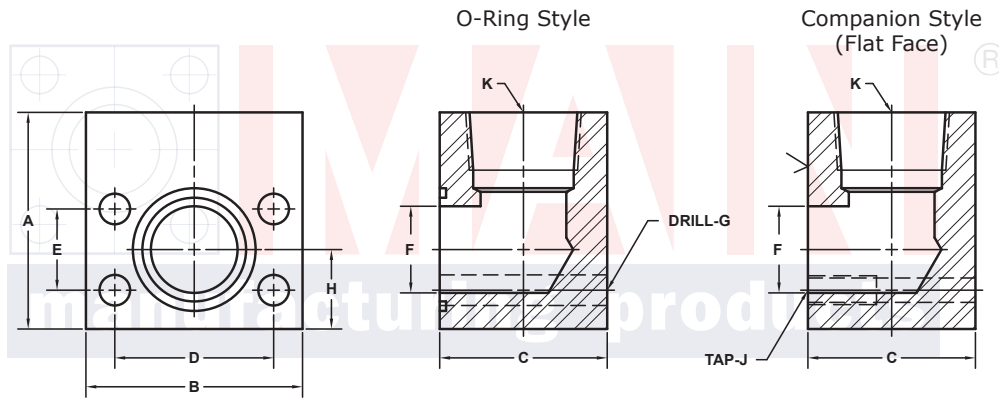
® May Contain Lead

NPTF THREADED ELBOW FLANGES (Pg 2/2)

SAE J518 61 SERIES / ISO6162-1 PATTERN

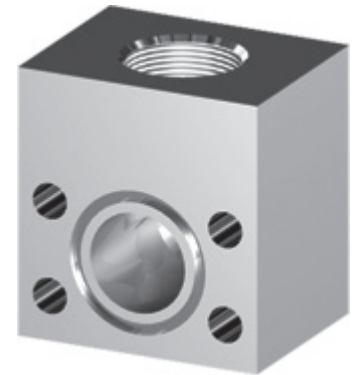
FLANGE SIZE	PIPE SIZE	PART NUMBER	A	B	C	D	E	F	Gmm		H	K NPTF	MOUNTING KIT [Ⓢ]			WT
									Jmm				PART NO.	SCREW SIZE	O-RING	
2	1 1/4	1161-32-20M12†	4.50	4.00	2.96	3.062	1.688	1.94	13.0	M12x1.75	1.62	1 1/4	MKM 4547	M12 x 90	228	11.3
		1162-32-20M12†							-----				-----	---		
2	1 1/2	1161-32-24M12†	4.50	4.00	2.96	3.062	1.688	1.94	13.0	M12x1.75	1.62	1 1/2	MKM 4547	M12 x 90	228	10.9
		1162-32-24M12†							-----				-----	---		
2	2	1161-32-32M12†	4.50	4.00	2.96	3.062	1.688	1.94	13.0	M12x1.75	1.62	2	MKM 4547	M12 x 90	228	10.7
		1162-32-32M12†							-----				-----	---		
2 1/2 ^②	1 1/2	1161-40-24M12†	5.00	4.50	3.96	3.500	2.000	2.44	13.0	M12x1.75	2.00	1 1/2	MKM 4535	M12 x 120	232	18.5
		1162-40-24M12†							-----				-----	---		
2 1/2 ^②	2	1161-40-32M12†	5.00	4.50	3.96	3.500	2.000	2.44	13.0	M12x1.75	2.00	2	MKM 4535	M12 x 120	232	17.8
		1162-40-32M12†							-----				-----	---		
2 1/2 ^②	2 1/2	1161-40-40M12†	5.00	4.50	3.96	3.500	2.000	2.44	13.0	M12x1.75	2.00	2 1/2	MKM 4535	M12 x 120	232	17.5
		1162-40-40M12†							-----				-----	---		
3 ^③	2	1161-48-32M16	6.00	5.31	4.46	4.188	2.438	2.94	17.0	M16x2	2.25	2	MKM 2532	M16 x 140	237	29.6
		1162-48-32M16							-----				-----	---		
3 ^③	2 1/2	1161-48-40M16	6.00	5.31	4.46	4.188	2.438	2.94	17.0	M16x2	2.25	2 1/2	MKM 2532	M16 x 140	237	30.0
		1162-48-40M16							-----				-----	---		
3 ^③	3	1161-48-48M16	6.00	5.31	4.46	4.188	2.438	2.94	17.0	M16x2	2.25	3	MKM 2532	M16 x 140	237	27.6
		1162-48-48M16							-----				-----	---		
3 1/2 ^④	3	1161-56-48M16	6.00	6.00	5.00	4.750	2.750	3.44	17.0	M16x2	2.50	3	MKM	M16 x	241	36.8
		1162-56-48M16							-----				-----	---		
3 1/2 ^④	3 1/2	1161-56-56M16	6.25	6.00	5.40	4.750	2.750	3.44	17.0	M16x2	2.50	3 1/2	MKM	M16 x	241	40.0
		1162-56-56M16							-----				-----	---		

MATERIAL:
Low Carbon Steel[Ⓢ]



Model 1161 / 1163

Model 1162 / 1164



3181 TRI-PARK DR. GRAND BLANC, MI 48439 800-521-7918 810-953-1380 FAX 810-953-1385 INFO@MAINMFG.COM

SAE J518 62 SERIES / ISO6162-2 PATTERN

FLANGE SIZE	PIPE SIZE	PART NUMBER	A	B	C	D	E	F	Gmm		H	K NPTF	MOUNTING KIT [Ⓢ]			WT
									Jmm				PART NO.	SCREW SIZE	O-RING	
1 1/2	1 1/4	1163-24-20M16	4.00	4.50	2.96	3.125	1.437	1.50	17.0	M16x2	1.62	1 1/4	MKM 553	M16 x 100	225	12.5
		1164-24-20M16							-----				-----	---		
1 1/2	1 1/2	1163-24-24M16	4.00	4.50	2.96	3.125	1.437	1.50	17.0	M16x2	1.62	1 1/2	MKM 553	M16 x 100	225	11.9
		1164-24-24M16							-----				-----	---		
1 1/2	2	1163-24-32M16	4.50	4.50	3.50	3.125	1.437	1.50	17.0	M16x2	1.62	2	MKM 1598	M16 x 120	225	15.3
		1164-24-32M16							-----				-----	---		
2	1 1/2	1163-32-24M20	5.00	5.25	3.46	3.812	1.750	1.94	21.0	M20x2.5	2.00	1 1/2	MKM 554	M20 x 120	228	20.7
		1164-32-24M20							-----				-----	---		
2	2	1163-32-32M20	5.00	5.25	3.46	3.812	1.750	1.94	21.0	M20x2.5	2.00	2	MKM 554	M20 x 120	228	20.2
		1164-32-32M20							-----				-----	---		
2 1/2	2	1163-40-32M24	6.00	6.88	4.00	4.875	2.312	2.44	25.5	M24x3	2.50	2	MKM 555	M24 x 140	232	39.0
		1164-40-32M24							-----				-----	---		
2 1/2	2 1/2	1163-40-40M24	6.00	6.88	4.00	4.875	2.312	2.44	25.5	M24x3	2.50	2 1/2	MKM 555	M24 x 140	232	37.9
		1164-40-40M24							-----				-----	---		
3	3	1163-48-48M30	7.00	8.50	5.00	6.000	2.812	2.94	32.0	M30x3.5	3.00	3	MKM 556	M30 x 180	237	63.7
		1164-48-48M30							-----				-----	---		

① Order Separately

② 2500 PSI Max

③ 2000 PSI Max

④ 500 PSI Max

Ⓢ May Contain Lead

NOTE: DIMENSIONS ARE IN INCHES UNLESS OTHERWISE NOTED. † Also Available for M12 Bolts ‡ Also Available for M14 Bolts

© Copyright MAIN Mfg. 2017