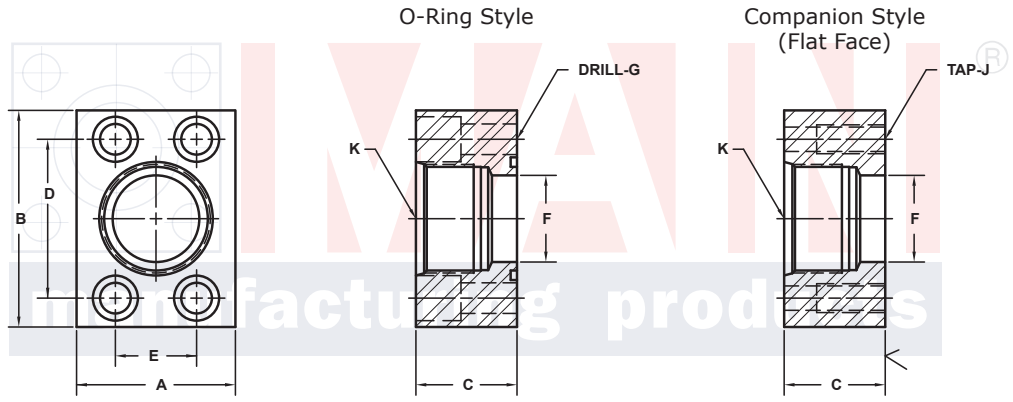
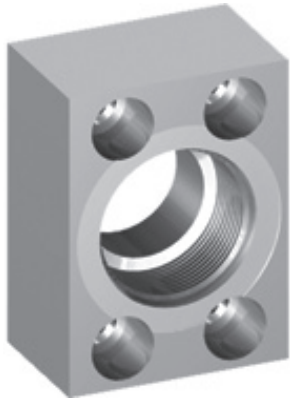


ISO 6149 THREADED IN-LINE FLANGES

SAE J518 61 SERIES / ISO6162-1 PATTERN

FLANGE SIZE	PORT SIZE	PART NUMBER	A	B	C	D	E	F	Gmm	K	MOUNTING KIT®			WT
									Jmm		PART NO.	SCREW SIZE	O-RING	
1/2	-8	1601-08-08M8	1.50	2.19	1.25	1.500	.688	.50	8.5	M18x1.5	MKM 501	M8 x 30	210	.9
		1602-08-08M8							-----		-----	---		
3/4	-10	1601-12-10M10	1.75	2.69	1.50	1.875	.875	.50	10.5	M22x1.5	MKM 1525	M10 x 35	214	1.4
		1602-12-10M10							-----		-----	---		
3/4	-12	1601-12-12M10	1.75	2.69	1.50	1.875	.875	.75	10.5	M27x2.0	MKM 1525	M10 x 35	214	1.3
		1602-12-12M10							-----		-----	---		
1	-12	1601-16-12M10	2.00	2.88	1.50	2.062	1.031	.94	10.5	M27x2.0	MKM 1542	M10 x 35	219	1.7
		1602-16-12M10							-----		-----	---		
1	-16	1601-16-16M10	2.00	2.88	1.50	2.062	1.031	1.00	10.5	M33x2.0	MKM 1542	M10 x 35	219	1.6
		1602-16-16M10							-----		-----	---		
1 1/4	-20	1601-20-20M10†	2.50	3.19	1.50	2.312	1.188	1.25	10.5	M42x2.0	MKM 4520	M10 x 35	222	2.1
		1602-20-20M10†							-----		-----	---		
1 1/2	-20	1601-24-20M12‡	2.75	3.75	1.75	2.750	1.406	1.50	13.0	M42x2.0	MKM 2599	M12 x 45	225	3.3
		1602-24-20M12‡							-----		-----	---		
1 1/2	-24	1601-24-24M12‡	2.75	3.75	1.75	2.750	1.406	1.50	13.0	M48x2.0	MKM 2599	M12 x 45	225	3.5
		1602-24-24M12‡							-----		-----	---		
2	-24	1601-32-24M12‡	3.25	4.00	1.75	3.062	1.688	1.77	13.0	M48x2.0	MKM 4513	M12 x 45	228	4.4
		1602-32-24M12‡							-----		-----	---		
2	-32	1601-32-32M12‡	3.25	4.00	1.75	3.062	1.688	1.94	13.0	M60x2.0	MKM 4513	M12 x 45	228	3.7
		1602-32-32M12‡							-----		-----	---		
2 1/2	-32	1601-40-32M12‡	4.00	4.50	1.75	3.500	2.000	2.12	13.0	M60x2.0	MKM 3562	M12 x 45	232	6.3
		1602-40-32M12‡							-----		-----	---		

MATERIAL:
Low Carbon Steel[®]



3181 TRI-PARK DR. GRAND BLANC, MI 48439 800-521-7918 810-953-1380 FAX 810-953-1385 INFO@MAINMFG.COM

SAE J518 62 SERIES / ISO6162-2 PATTERN

FLANGE SIZE	PORT SIZE	PART NUMBER	A	B	C	D	E	F	Gmm	K	MOUNTING KIT®			WT
									Jmm		PART NO.	SCREW SIZE	O-RING	
1/2	-8	1603-08-08M8	1.75	2.22	1.25	1.594	.718	.50	8.5	M18x1.5	MKM 501	M8 x 30	210	1.1
		1604-08-08M8							-----		-----	---		
3/4	-10	1603-12-10M10	2.00	2.81	1.50	2.000	.937	.50	10.5	M22x1.5	MKM 1525	M10 x 35	214	2.0
		1604-12-10M10							-----		-----	---		
3/4	-12	1603-12-12M10	2.00	2.81	1.50	2.000	.937	.75	10.5	M27x2.0	MKM 1525	M10 x 35	214	1.8
		1604-12-12M10							-----		-----	---		
1	-12	1603-16-12M12	2.25	3.19	1.50	2.250	1.093	.94	12.5	M27x2.0	MKM 1529	M12 x 40	219	2.3
		1604-16-12M12							-----		-----	---		
1	-16	1603-16-16M12	2.25	3.19	1.50	2.250	1.093	1.00	12.5	M33x2.0	MKM 1529	M12 x 40	219	2.2
		1604-16-16M12							-----		-----	---		
1 1/4	-20	1603-20-20M12‡	3.00	3.75	1.50	2.625	1.250	1.25	13.0	M42x2.0	MKM 567	M12 x 35	222	3.7
		1604-20-20M12‡							-----		-----	---		
1 1/2	-24	1603-24-24M16	3.25	4.50	1.75	3.125	1.437	1.50	17.0	M48x2.0	MKM 1544	M16 x 45	225	5.5
		1604-24-24M16							-----		-----	---		
2	-32	1603-32-32M20	4.00	5.25	1.75	3.812	1.750	1.94	21.0	M60x2.0	MKM 563	M20 x 45	228	7.5
		1604-32-32M20							-----		-----	---		

① Order Separately

② 2500 PSI Max

⑤ May Contain Lead

NOTE: The Pressure Rating of the Assembly Should NOT Exceed the Lower of the Flange Pad or the Fitting. Check the Fitting Manufacturer for Details.

32 NOTE: DIMENSIONS ARE IN INCHES UNLESS OTHERWISE NOTED. † Also Available for M12 Bolts ‡ Also Available for M14 Bolts