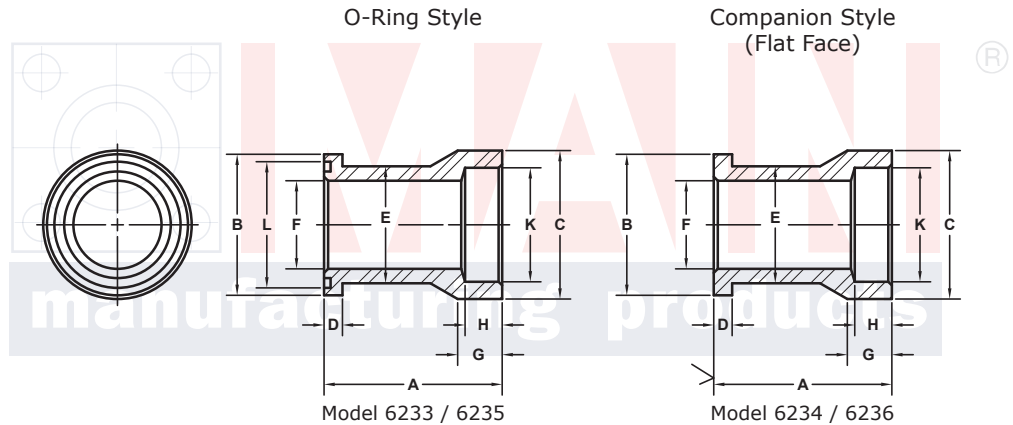
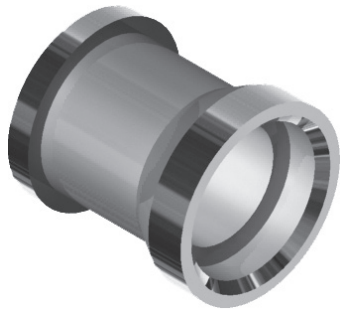


SOCKET WELD PIPE FLANGED HEADS

61 SERIES														
FLANGE SIZE	PIPE SIZE	PART NUMBER	A	B	C	D	E	F	G	H	K	L	O-RING NO. ①	WT
1/2	1/2	6233-08-08B	2.12	1.188	1.31	.265	.92	.50	.50	.50	.860	1.000	210	
		6234-08-08B										---	---	
3/4	3/4	6233-12-12B	2.25	1.500	1.62	.265	1.23	.75	.50	.50	1.070	1.250	214	
		6234-12-12B										---	---	
1	1	6233-16-16B	2.25	1.750	1.88	.315	1.48	1.00	.50	.50	1.335	1.562	219	
		6234-16-16B										---	---	
1 1/4	1 1/4	6233-20-20B	2.62	2.000	2.12	.315	1.69	1.25	.50	.50	1.680	1.750	222	
		6234-20-20B										---	---	
1 1/2	1 1/2	6233-24-24B	2.75	2.375	2.50	.315	1.97	1.50	.50	.50	1.920	2.125	225	
		6234-24-24B										---	---	
1 1/2	2	6233-24-32B	4.00	2.375	3.00	.315	1.97	1.50	1.00	.62	2.411	2.125	225	
		6234-24-32B										---	---	
2	2	6233-32-32B	3.00	2.812	3.00	.375	2.44	1.94	.75	.62	2.411	2.500	228	
		6234-32-32B										---	---	
2 1/2 ^②	2 1/2	6233-40-40B	3.25	3.312	3.62	.375	2.89	2.32	.75	.62	2.911	3.000	232	
		6234-40-40B										---	---	
3 ^③	3	6233-48-48B	3.75	4.000	4.50	.375	3.53	2.90	.88	.75	3.540	3.625	237	
		6234-48-48B										---	---	
4 ^④	4	6233-64-64B	4.25	5.000	5.50	.442	4.48	3.88	.88	.75	4.550	4.609	245	
		6234-64-64B										---	---	

MATERIAL:
304L Stainless



3181 TRI-PARK DR. GRAND BLANC, MI 48439 800-521-7918 810-953-1380 FAX 810-953-1385 INFO@MAINMFG.COM

62 SERIES														
FLANGE SIZE	PIPE SIZE	PART NUMBER	A	B	C	D	E	F	G	H	K	L	O-RING NO. ①	WT
1/2	1/2	6235-08-08B	2.38	1.250	1.31	.305	.92	.50	.62	.50	.860	1.000	210	
		6236-08-08B										---	---	
3/4	3/4	6235-12-12B	2.75	1.625	1.62	.345	1.23	.69	.62	.50	1.070	1.250	214	
		6236-12-12B										---	---	
1	1	6235-16-16B	3.00	1.875	2.00	.375	1.48	.88	.62	.50	1.335	1.562	219	
		6236-16-16B										---	---	
1 1/4	1 1/4	6235-20-20B	3.38	2.125	2.38	.405	1.69	1.19	.62	.50	1.680	1.750	222	
		6236-20-20B										---	---	
1 1/4	1 1/2	6235-20-24B	3.75	2.125	2.75	.405	1.69	1.19	.62	.50	1.920	1.750	222	
		6236-20-24B										---	---	
1 1/2	1 1/2	6235-24-24B	3.75	2.500	2.75	.495	1.97	1.38	.62	.50	1.920	2.125	225	
		6236-24-24B										---	---	
1 1/2	2	6235-24-32B	4.88	2.500	3.25	.495	1.97	1.38	1.00	.75	2.411	2.125	225	
		6236-24-32B										---	---	
2	2	6235-32-32B	4.00	3.125	3.50	.495	2.60	1.75	.75	.62	2.411	2.500	228	
		6236-32-32B										---	---	

① Order Separately ② 2500 PSI Max ③ 2000 PSI Max ④ 500 PSI Max