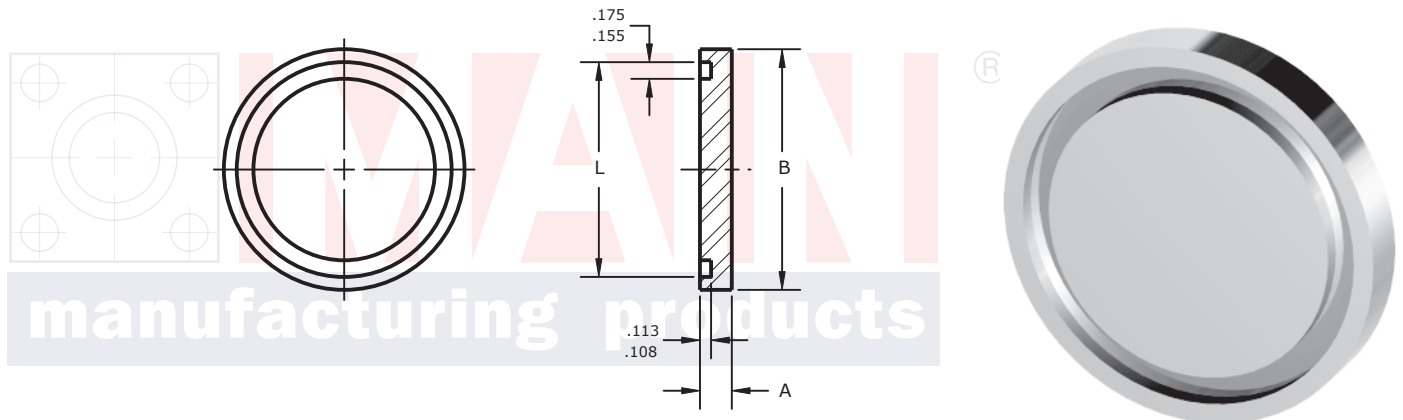


# 'MAIN' FLANGE PLUGS

## 61 SERIES

FLANGE SIZE	PART NUMBER	A	B	L	O-RING NO. <sup>①</sup>	WT
1/2	1215-08-08	.265	1.19	1.000	210	
3/4	1215-12-12	.265	1.50	1.250	214	
1	1215-16-16	.315	1.75	1.562	219	
1 1/4	1215-20-20	.315	2.00	1.750	222	
1 1/2	1215-24-24	.315	2.38	2.125	225	
2	1215-32-32	.375	2.81	2.500	228	
2 1/2	1215-40-40	.375	3.31	3.000	232	
3	1215-48-48	.375	4.00	3.625	237	

MATERIAL:  
Low Carbon Steel <sup>®</sup>



3181 TRI-PARK DR. GRAND BLANC, MI 48439 800-521-7918 810-953-1380 FAX 810-953-1385 INFO@MAINMFG.COM

## 62 SERIES

FLANGE SIZE	PART NUMBER	A	B	L	O-RING NO. <sup>①</sup>	WT
1/2	1216-08-08	.305	1.25	1.000	210	
3/4	1216-12-12	.345	1.62	1.250	214	
1	1216-16-16	.375	1.88	1.562	219	
1 1/4	1216-20-20	.405	2.12	1.750	222	
1 1/2	1216-24-24	.495	2.50	2.125	225	
2	1216-32-32	.495	3.12	2.500	228	

① Order Separately

® May Contain Lead