

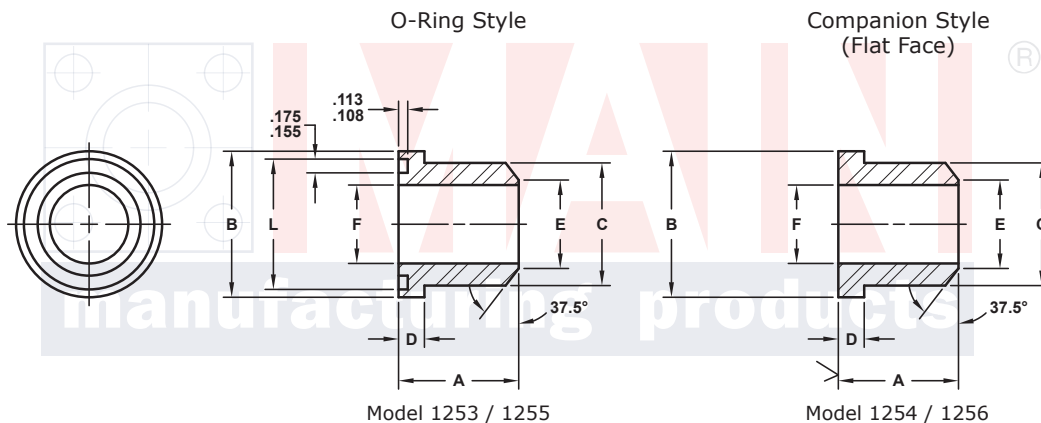
BUTT WELD FLANGED HEADS

For Schedule 80 Pipe ®

61 SERIES

FLANGE SIZE	PIPE SIZE	PART NUMBER	A	B	C	D	E	F	L	O-RING NO.®	WT
1/2	1/2	1253-08-08	1.25	1.188	.92	.265	.65	.53	1.000	210	.2
		1254-08-08							---	---	
3/4	3/4	1253-12-12	1.44	1.500	1.23	.265	.88	.75	1.250	214	.3
		1254-12-12							---	---	
1	1	1253-16-16	1.44	1.750	1.48	.315	1.06	1.00	1.562	219	.4
		1254-16-16							---	---	
1 1/4	1 1/4	1253-20-20	1.44	2.000	1.69	.315	1.38	1.25	1.750	222	.5
		1254-20-20							---	---	
1 1/2	1 1/2	1253-24-24	1.50	2.375	1.97	.315	1.62	1.50	2.125	225	.6
		1254-24-24							---	---	
2	2	1253-32-32	1.50	2.812	2.44	.375	2.06	1.94	2.500	228	.8
		1254-32-32							---	---	
2 1/2	2 1/2	1253-40-40	2.00	3.312	2.89	.375	2.44	2.32	3.000	232	1.4
		1254-40-40							---	---	
3	3	1253-48-48	2.12	4.000	3.53	.375	3.02	2.90	3.625	237	2.1
		1254-48-48							---	---	
3 1/2	3 1/2	1253-56-56	1.62	4.500	3.98	.442	3.48	3.36	4.109	241	1.9
		1254-56-56							---	---	
4	4	1253-64-64	1.88	5.000	4.48	.442	3.95	3.83	4.609	245	2.6
		1254-64-64							---	---	

MATERIAL:
Low Carbon Steel



3181 TRI-PARK DR. GRAND BLANC, MI 48439 800-521-7918 810-953-1380 FAX 810-953-1385 INFO@MAINMFG.COM

62 SERIES

FLANGE SIZE	PIPE SIZE	PART NUMBER	A	B	C	D	E	F	L	O-RING NO.®	WT
1/2	1/2	1255-08-08	1.38	1.250	.92	.305	.65	.53	1.000	210	.2
		1256-08-08							---	---	
3/4	3/4	1255-12-12	1.62	1.625	1.23	.345	.88	.75	1.250	214	.4
		1256-12-12							---	---	
1	1	1255-16-16	1.88	1.875	1.48	.375	1.06	.94	1.562	219	.6
		1256-16-16							---	---	
1 1/4	1 1/4	1255-20-20	2.00	2.125	1.69	.405	1.38	1.25	1.750	222	.7
		1256-20-20							---	---	
1 1/2	1 1/2	1255-24-24	2.25	2.500	1.97	.495	1.62	1.50	2.125	225	1.1
		1256-24-24							---	---	
2	2	1255-32-32	2.56	3.125	2.60	.495	2.06	1.94	2.500	228	1.9
		1256-32-32							---	---	

① Order Separately

® Other Pipe and Tube Sizes are Available