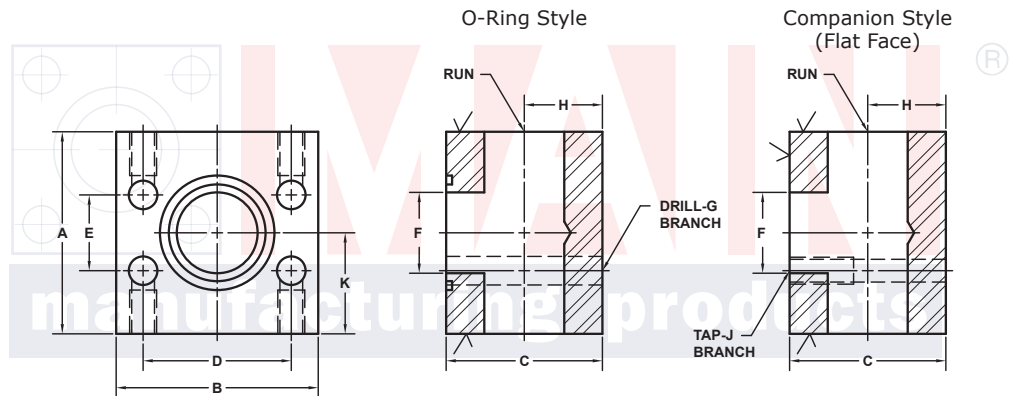
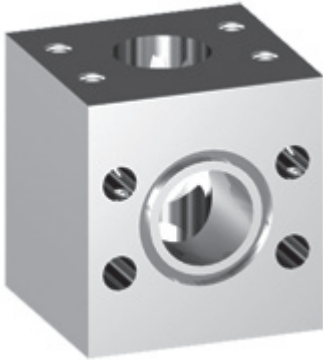


FLANGED BRANCH TEE FLANGES (Pg 1/2)

SAE BOLT PATTERN			61 SERIES												
BRANCH SIZE	RUN SIZE	PART NUMBER	A	B	C	D	E	F	G	H	K	MOUNTING KIT®			WT
									J			PART NO.	SCREW SIZE	O-RING	
1/2	1/2	1575-08-08	3.00	2.12	2.25	1.500	.688	.50	.34	.78	1.50	MK 3509	5/16-18 x 2 3/4	210	3.6
		1576-08-08							5/16-18						
3/4	3/4	1185-12-12	2.75	2.62	2.25	1.875	.875	.75	.41	1.03	1.38	MK 576	3/8-16 x 3	214	3.7
		1186-12-12							3/8-16						
1	3/4	1185-16-12	3.00	2.82	2.50	2.062	1.031	1.00	.41	1.16	1.50	MK 577	3/8-16 x 3 1/4	219	5.0
		1186-16-12							3/8-16						
1	1	1185-16-16	3.00	2.82	2.50	2.062	1.031	1.00	.41	1.16	1.50	MK 577	3/8-16 x 3 1/4	219	4.7
		1186-16-16							3/8-16						
1 1/4	1	1185-20-16	3.50	3.19	3.25	2.312	1.188	1.25	.47	1.38	1.75	MK 591	7/16-14 x 4	222	8.2
		1186-20-16							7/16-14						
1 1/4	1 1/4	1185-20-20	3.75	3.19	3.25	2.312	1.188	1.25	.47	1.38	1.88	MK 591	7/16-14 x 4	222	9.0
		1186-20-20							7/16-14						
1 1/4	1 1/2	1185-20-24	4.00	3.75	3.50	2.312	1.188	1.25	.47	1.62	2.00	MK 2560	7/16-14 x 4 1/2	222	12.1
		1186-20-24							USE PART # 1206-24-20						
1 1/2	1	1185-24-16	4.50	3.75	3.00	2.750	1.406	1.50	.53	1.50	2.00	MK 545	1/2-13 x 4	225	11.9
		1186-24-16							1/2-13						
1 1/2	1 1/4	1185-24-20	4.00	3.75	3.50	2.750	1.406	1.50	.53	1.62	2.00	MK 579	1/2-13 x 4 1/2	225	11.8
		1186-24-20							1/2-13						
1 1/2	1 1/2	1185-24-24	4.00	3.75	3.50	2.750	1.406	1.50	.53	1.62	2.00	MK 579	1/2-13 x 4 1/2	225	11.3
		1186-24-24							1/2-13						
1 1/2	2	1185-24-32	4.25	4.00	4.00	2.750	1.406	1.50	.53	1.91	2.12	MK 1508	1/2-13 x 5	225	15.3
		1186-24-32							USE PART # 1206-32-24						

MATERIAL:
Low Carbon Steel[®]



Model 1185 / 1187

Model 1186 / 1188

3181 TRI-PARK DR. GRAND BLANC, MI 48439 800-521-7918 810-953-1380 FAX 810-953-1385 INFO@MAINMFG.COM

SAE BOLT PATTERN			62 SERIES												
BRANCH SIZE	RUN SIZE	PART NUMBER	A	B	C	D	E	F	G	H	K	MOUNTING KIT®			WT
									J			PART NO.	SCREW SIZE	O-RING	
1/2	1/2	1187-08-08	2.50	2.22	2.00	1.594	.718	.50	.34	.94	1.25	MK 575	5/16-18 x 2 1/2	210	2.7
		1188-08-08							5/16-18						
3/4	1/2	1187-12-08	3.00	2.81	2.50	2.000	.937	.75	.41	1.19	1.50	MK 595	3/8-16 x 3 1/4	214	5.3
		1188-12-08							3/8-16						
3/4	3/4	1187-12-12	3.00	2.81	2.50	2.000	.937	.75	.41	1.19	1.50	MK 595	3/8-16 x 3 1/4	214	5.1
		1188-12-12							3/8-16						
1	3/4	1187-16-12	3.50	3.19	3.00	2.250	1.093	1.00	.47	1.38	1.75	MK 596	7/16-14 x 4	219	8.2
		1188-16-12							7/16-14						
1	1	1187-16-16	3.50	3.19	3.00	2.250	1.093	1.00	.47	1.38	1.75	MK 596	7/16-14 x 4	219	7.7
		1188-16-16							7/16-14						
1 1/4	1	1187-20-16	4.00	3.75	3.50	2.625	1.250	1.25	.53	1.62	2.00	MK 4565	1/2-13 x 4 1/2	222	12.6
		1188-20-16							1/2-13						
1 1/4	1 1/4	1187-20-20	4.00	3.75	3.50	2.625	1.250	1.25	.53	1.62	2.00	MK 4565	1/2-13 x 4 1/2	222	11.9
		1188-20-20							1/2-13						
1 1/4	1 1/2	1187-20-24	4.50	4.50	4.00	2.625	1.250	1.25	.53	1.75	2.25	MK 2564	1/2-13 x 5	222	18.7
		1188-20-24							USE PART # 1208-24-20						

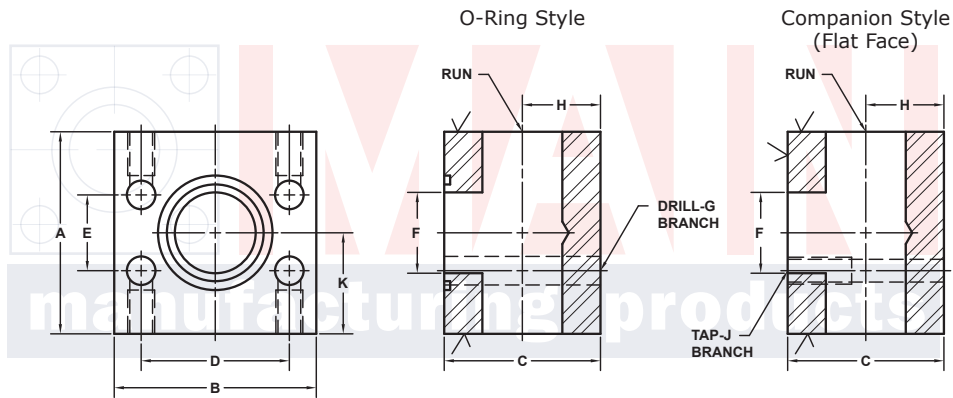
① Order Separately

® May Contain Lead

FLANGED BRANCH TEE FLANGES (Pg 2/2)

SAE BOLT PATTERN										61 SERIES					
BRANCH SIZE	RUN SIZE	PART NUMBER	A	B	C	D	E	F	G J	H	K	MOUNTING KIT®			WT
												PART NO.	SCREW SIZE	O-RING	
2	1 1/4	1185-32-20	4.50	4.00	3.00	3.062	1.688	1.94	.53	1.44	2.25	MK 558	1/2-13 x 4	228	11.8
		1186-32-20							1/2-13						
2	1 1/2	1185-32-24	4.50	4.00	4.00	3.062	1.688	1.94	.53	1.91	2.25	MK 592	1/2-13 x 5	228	15.5
		1186-32-24							1/2-13						
2	2	1185-32-32	4.25	4.00	4.00	3.062	1.688	1.94	.53	1.91	2.12	MK 592	1/2-13 x 5	228	13.5
		1186-32-32							1/2-13						
2 1/2 ^②	1 1/2	1185-40-24	5.00	4.50	4.00	3.500	2.000	2.44	.53	2.00	2.50	MK 547	1/2-13 x 5	232	19.5
		1186-40-24							1/2-13						
2 1/2 ^②	2	1185-40-32	4.50	4.50	4.50	3.500	2.000	2.44	.53	2.14	2.25	MK 593	1/2-13 x 5 1/2	232	18.5
		1186-40-32							1/2-13						
2 1/2 ^②	2 1/2	1185-40-40	4.50	4.50	4.50	3.500	2.000	2.44	.53	2.14	2.25	MK 593	1/2-13 x 5 1/2	232	17.0
		1186-40-40							1/2-13						
3 ^③	2 1/2	1185-48-40	5.50	5.31	5.50	4.188	2.438	2.94	.66	2.58	2.75	MK 594	5/8-11 x 6 1/2	237	32.0
		1186-48-40							5/8-11						
3 ^③	3	1185-48-48	5.50	5.31	5.50	4.188	2.438	2.94	.66	2.58	2.75	MK 594	5/8-11 x 6 1/2	237	29.2
		1186-48-48							5/8-11						
3 1/2 ^④	3 1/2	1185-56-56	6.00	6.00	6.00	4.750	2.750	3.44	.66	3.00	3.00	MK 1589	5/8-11 x 7	241	38.4
		1186-56-56							5/8-11						
4 ^④	4	1185-64-64	6.00	6.38	6.00	5.125	3.062	3.94	.66	2.81	3.00	MK 550	5/8-11 x 7	245	40.0
		1186-64-64							5/8-11						
5 ^④	5	1185-80-80				6.000	3.625		.66					253	
		1186-80-80							5/8-11						

MATERIAL:
Low Carbon Steel[®]



Model 1185 / 1187

Model 1186 / 1188



3181 TRI-PARK DR. GRAND BLANC, MI 48439 800-521-7918 810-953-1380 FAX 810-953-1385 INFO@MAINMFG.COM

SAE BOLT PATTERN										62 SERIES					
BRANCH SIZE	RUN SIZE	PART NUMBER	A	B	C	D	E	F	G J	H	K	MOUNTING KIT®			WT
												PART NO.	SCREW SIZE	O-RING	
1 1/2	1 1/4	1187-24-20	4.00	4.50	4.00	3.125	1.437	1.50	.66	2.00	2.00	MK 597	5/8-11 x 5	225	16.5
		1188-24-20							5/8-11						
1 1/2	1 1/2	1187-24-24	4.50	4.50	4.00	3.125	1.437	1.50	.66	1.88	2.25	MK 597	5/8-11 x 5	225	17.9
		1188-24-24							5/8-11						
2	1 1/4	1187-32-20	5.00	5.25	4.00	3.812	1.750	1.94	.78	2.00	2.50	MK 1507	3/4-10 x 5	228	24.3
		1188-32-20							3/4-10						
2	1 1/2	1187-32-24	5.00	5.25	4.50	3.812	1.750	1.94	.78	2.00	2.50	MK 4580	3/4-10 x 5 1/2	228	26.4
		1188-32-24							3/4-10						
2	2	1187-32-32	5.00	5.25	5.00	3.812	1.750	1.94	.78	2.25	2.50	MK 598	3/4-10 x 6	228	27.8
		1188-32-32							3/4-10						
2 1/2	2	1187-40-32	7.00	7.00	5.00	4.875	2.312	2.44	.94	2.50	3.50	MK	7/8-9 x 7 1/2	232	56.0
		1188-40-32							7/8-9						
2 1/2	2 1/2	1187-40-40	7.00	7.00	6.00	4.875	2.312	2.44	.94	2.50	3.50	MK	7/8-9 x 7 1/2	232	64.3
		1188-40-40							7/8-9						
3	3	1187-48-48	9.00	8.50	7.00	6.000	2.812	2.94	1.19	3.00	4.50	MK	1 1/8-7 x 9	237	116
		1188-48-48							1 1/8-7						

① Order Separately

② 2500 PSI Max

③ 2000 PSI Max

④ 500 PSI Max

® May Contain Lead