

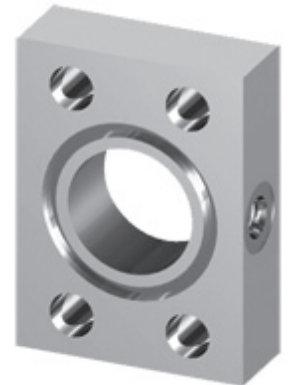
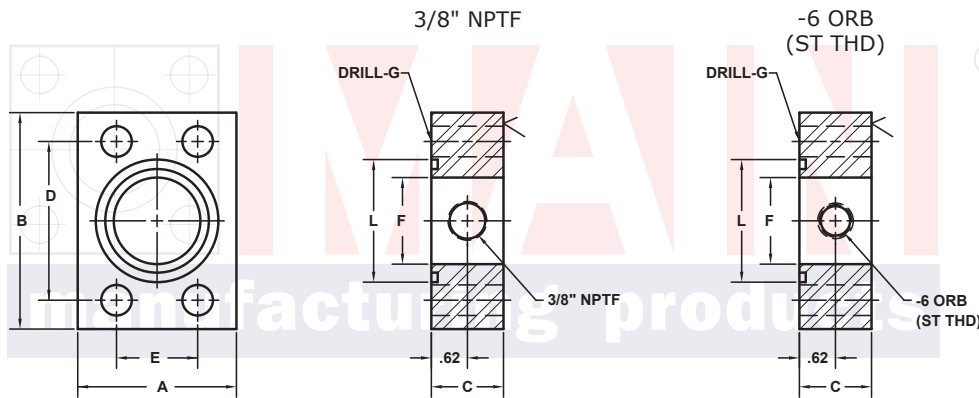
# GAUGE PORT ADAPTERS

3/8" GAUGE PORTS

## SAE J518 61 SERIES / ISO6162-1 PATTERN

FLANGE SIZE	PIPE SIZE	PART NUMBER	A	B	C	D	E	F	Gmm	L	O-RING <sup>①</sup>	WT
1/2	NA	1291-08-08M8	1.50	2.12	1.25	1.500	.688	.50	8.5	1.000	210	1.0
		1293-08-08M8										
3/4	NA	1291-12-12M10	1.75	2.62	1.25	1.875	.875	.75	10.5	1.250	214	1.2
		1293-12-12M10										
1	NA	1291-16-16M10	2.00	2.82	1.25	2.062	1.031	1.00	10.5	1.562	219	1.5
		1293-16-16M10										
1 1/4	NA	1291-20-20M10 <sup>+</sup>	2.50	3.19	1.25	2.312	1.188	1.25	10.5	1.750	222	2.1
		1293-20-20M10 <sup>+</sup>										
1 1/2	NA	1291-24-24M12 <sup>‡</sup>	2.75	3.75	1.25	2.750	1.406	1.50	13.0	2.125	225	2.6
		1293-24-24M12 <sup>‡</sup>										
2	NA	1291-32-32M12 <sup>‡</sup>	3.25	4.00	1.25	3.062	1.688	1.94	13.0	2.500	228	3.2
		1293-32-32M12 <sup>‡</sup>										
2 1/2 <sup>②</sup>	NA	1291-40-40M12 <sup>‡</sup>	4.00	4.50	1.25	3.500	2.000	2.44	13.0	3.000	232	4.3
		1293-40-40M12 <sup>‡</sup>										
3 <sup>③</sup>	NA	1291-48-48M16	4.50	5.31	1.25	4.188	2.438	2.94	17.0	3.625	237	5.5
		1293-48-48M16										

MATERIAL:  
Low Carbon Steel<sup>®</sup>



Model 1291 / 1292

Model 1293 / 1294

3181 TRI-PARK DR. GRAND BLANC, MI 48439 800-521-7918 810-953-1380 FAX 810-953-1385 INFO@MAINMFG.COM

## SAE J518 62 SERIES / ISO6162-2 PATTERN

FLANGE SIZE	PIPE SIZE	PART NUMBER	A	B	C	D	E	F	Gmm	L	O-RING <sup>①</sup>	WT
1/2	NA	1292-08-08M8	1.75	2.22	1.25	1.594	.718	.50	8.5	1.000	210	1.2
		1294-08-08M8										
3/4	NA	1292-12-12M10	2.00	2.81	1.25	2.000	.937	.75	10.5	1.250	214	1.6
		1294-12-12M10										
1	NA	1292-16-16M12	2.25	3.19	1.25	2.250	1.093	1.00	12.5	1.562	219	1.9
		1294-16-16M12										
1 1/4	NA	1292-20-20M12 <sup>‡</sup>	2.75	3.75	1.25	2.625	1.250	1.25	13.0	1.750	222	2.8
		1294-20-20M12 <sup>‡</sup>										
1 1/2	NA	1292-24-24M16	3.25	4.50	1.25	3.125	1.437	1.50	17.0	2.125	225	4.0
		1294-24-24M16										
2	NA	1292-32-32M20	4.00	5.25	1.25	3.812	1.750	1.94	21.0	2.500	228	5.6
		1294-32-32M20										

① Includes Buna-N O-Ring ② 2500 PSI Max ③ 2000 PSI Max

⑤ May Contain Lead

NOTE: DIMENSIONS ARE IN INCHES UNLESS OTHERWISE NOTED. + Also Available for M12 Bolts ‡ Also Available for M14 Bolts

© Copyright MAIN Mfg. 2017