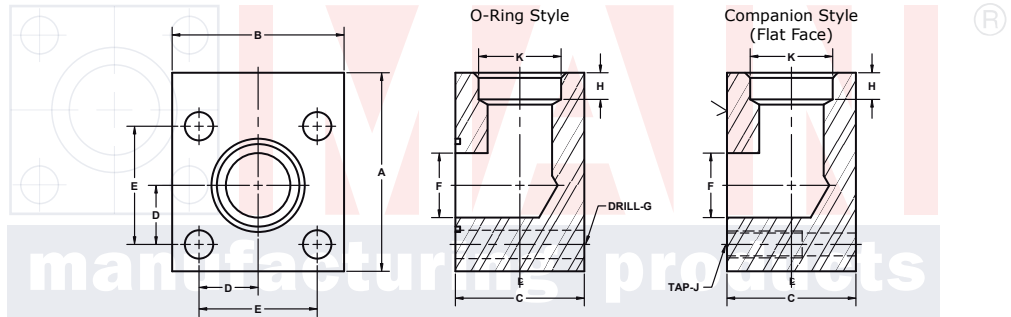
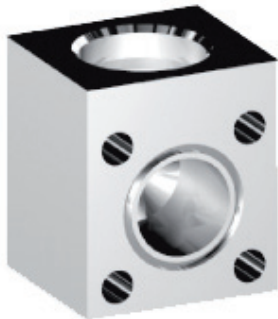


SOCKET WELD PIPE ELBOW FLANGES

3000 SERIES SQUARE BOLT PATTERN

| FLANGE SIZE | PIPE SIZE | PART NUMBER | A | B | C | D | E | F | G | H | K | MOUNTING KIT® | | | WT |
|-------------|-----------|-------------|------|------|------|-------|-------|------|--------|------|-------|---------------|----------------|--------|------|
| | | | | | | | | | J | | | PART NO. | SCREW SIZE | O-RING | |
| 1/2 | 1/2 | 1411-08-08 | 2.75 | 2.25 | 1.50 | .719 | 1.438 | .50 | .41 | .50 | .860 | MK 532 | 3/8-16 x 2 1/4 | 216 | 2.3 |
| | | 1412-08-08 | | | | | | | 3/8-16 | | | ----- | --- | | |
| 3/4 | 3/4 | 1411-12-12 | 2.75 | 2.25 | 1.50 | .719 | 1.438 | .75 | .41 | .50 | 1.070 | MK 532 | 3/8-16 x 2 1/4 | 216 | 2.0 |
| | | 1412-12-12 | | | | | | | 3/8-16 | | | ----- | --- | | |
| 1 | 1 | 1411-16-16 | 3.50 | 3.00 | 2.00 | 1.000 | 2.000 | 1.00 | .53 | .50 | 1.335 | MK 533 | 1/2-13 x 2 3/4 | 222 | 4.8 |
| | | 1412-16-16 | | | | | | | 1/2-13 | | | ----- | --- | | |
| 1 1/4 | 1 1/4 | 1411-20-20 | 3.50 | 3.00 | 2.25 | 1.000 | 2.000 | 1.25 | .53 | .50 | 1.680 | MK 534 | 1/2-13 x 3 | 222 | 5.1 |
| | | 1412-20-20 | | | | | | | 1/2-13 | | | ----- | --- | | |
| 1 1/2 | 1 1/2 | 1411-24-24 | 4.62 | 4.00 | 3.00 | 1.375 | 2.750 | 1.50 | .66 | .62 | 1.920 | MK 535 | 5/8-11 x 4 | 228 | 12.1 |
| | | 1412-24-24 | | | | | | | 5/8-11 | | | ----- | --- | | |
| 2 | 2 | 1411-32-32 | 4.62 | 4.00 | 3.50 | 1.375 | 2.750 | 1.94 | .66 | .62 | 2.411 | MK 1598 | 5/8-11 x 4 1/2 | 228 | 13.1 |
| | | 1412-32-32 | | | | | | | 5/8-11 | | | ----- | --- | | |
| 2 1/2 | 2 1/2 | 1411-40-40 | 6.25 | 5.50 | 4.00 | 1.875 | 3.750 | 2.44 | .94 | .75 | 2.911 | MK 536 | 7/8-9 x 5 1/2 | 236 | 28.6 |
| | | 1412-40-40 | | | | | | | 7/8-9 | | | ----- | --- | | |
| 3 | 3 | 1411-48-48 | 6.25 | 5.50 | 4.50 | 1.875 | 3.750 | 2.88 | .94 | .75 | 3.540 | MK 537 | 7/8-9 x 6 | 236 | 31.9 |
| | | 1412-48-48 | | | | | | | 7/8-9 | | | ----- | --- | | |
| 3 1/2 | 3 1/2 | 1411-56-56 | 7.00 | 6.00 | 5.50 | 2.125 | 4.250 | 3.38 | .94 | .75 | 4.045 | MK 3528 | 7/8-9 x 7 | 240 | 47.2 |
| | | 1412-56-56 | | | | | | | 7/8-9 | | | ----- | --- | | |
| 4 | 4 | 1411-64-64 | 8.00 | 7.00 | 6.00 | 2.500 | 5.000 | 3.88 | 1.06 | 1.00 | 4.550 | MK 2573 | 1-8 x 7 1/2 | 347 | 66.8 |
| | | 1412-64-64 | | | | | | | 1-8 | | | ----- | --- | | |
| 5 | 5 | 1411-80-80 | 9.00 | 8.00 | 7.00 | 3.000 | 6.000 | 4.81 | 1.06 | 1.00 | 5.635 | MK 3522 | 1-8 x 8 1/2 | 355 | 97.0 |
| | | 1412-80-80 | | | | | | | 1-8 | | | ----- | --- | | |



MATERIAL: **Low Carbon Steel** Model 1411 / 1413 Model 1412 / 1414

3181 TRI-PARK DR. GRAND BLANC, MI 48439 800-521-7918 810-953-1380 FAX 810-953-1385 INFO@MAINMFG.COM

6000 SERIES SQUARE BOLT PATTERN

| FLANGE SIZE | PIPE SIZE | PART NUMBER | A | B | C | D | E | F | G | H | K | MOUNTING KIT® | | | WT |
|-------------|-----------|-------------|------|------|------|-------|-------|------|--------|-----|-------|---------------|----------------|--------|------|
| | | | | | | | | | J | | | PART NO. | SCREW SIZE | O-RING | |
| 1/2 | 1/2 | 1413-08-08 | 2.75 | 2.25 | 1.50 | .719 | 1.438 | .50 | .41 | .50 | .860 | MK 5515 | 3/8-16 x 2 1/4 | 210 | 2.2 |
| | | 1414-08-08 | | | | | | | 3/8-16 | | | ----- | --- | | |
| 3/4 | 3/4 | 1413-12-12 | 3.00 | 2.50 | 1.75 | .875 | 1.750 | .62 | .41 | .50 | 1.070 | MK 542 | 3/8-16 x 2 1/2 | 214 | 3.2 |
| | | 1414-12-12 | | | | | | | 3/8-16 | | | ----- | --- | | |
| 1 | 1 | 1413-16-16 | 3.50 | 3.00 | 2.25 | 1.000 | 2.000 | .81 | .53 | .50 | 1.335 | MK 5516 | 1/2-13 x 2 3/4 | 219 | 5.5 |
| | | 1414-16-16 | | | | | | | 1/2-13 | | | ----- | --- | | |
| 1 1/4 | 1 1/4 | 1413-20-20 | 4.62 | 4.00 | 3.00 | 1.375 | 2.750 | 1.16 | .66 | .50 | 1.680 | MK 5517 | 5/8-11 x 4 | 222 | 13.1 |
| | | 1414-20-20 | | | | | | | 5/8-11 | | | ----- | --- | | |
| 1 1/2 | 1 1/4 | 1413-24-20 | 4.62 | 4.00 | 3.00 | 1.375 | 2.750 | 1.34 | .66 | .50 | 1.680 | MK 553 | 5/8-11 x 4 | 225 | 13.0 |
| | | 1414-24-20 | | | | | | | 5/8-11 | | | ----- | --- | | |
| 1 1/2 | 1 1/2 | 1413-24-24 | 4.62 | 4.00 | 3.00 | 1.375 | 2.750 | 1.34 | .66 | .62 | 1.920 | MK 553 | 5/8-11 x 4 | 225 | 12.5 |
| | | 1414-24-24 | | | | | | | 5/8-11 | | | ----- | --- | | |
| 1 1/2 | 2 | 1413-24-32 | 4.62 | 4.00 | 3.50 | 1.375 | 2.750 | 1.34 | .66 | .62 | 2.411 | MK 1587 | 5/8-11 x 4 1/2 | 225 | 14.6 |
| | | 1414-24-32 | | | | | | | 5/8-11 | | | ----- | --- | | |
| 2 | 1 1/2 | 1413-32-24 | 5.50 | 5.00 | 4.00 | 1.750 | 3.500 | 1.69 | .78 | .62 | 1.920 | MK 4580 | 3/4-10 x 5 1/2 | 228 | 26.5 |
| | | 1414-32-24 | | | | | | | 3/4-10 | | | ----- | --- | | |
| 2 | 2 | 1413-32-32 | 5.50 | 5.00 | 4.00 | 1.750 | 3.500 | 1.69 | .78 | .62 | 2.411 | MK 4580 | 3/4-10 x 5 1/2 | 228 | 25.5 |
| | | 1414-32-32 | | | | | | | 3/4-10 | | | ----- | --- | | |
| 2 1/2 | 2 1/2 | 1413-40-40 | 6.25 | 5.50 | 4.50 | 1.875 | 3.750 | 2.12 | .94 | .75 | 2.911 | MK 2557 | 7/8-9 x 6 | 232 | 34.0 |
| | | 1414-40-40 | | | | | | | 7/8-9 | | | ----- | --- | | |
| 3 | 3 | 1413-48-48 | 8.00 | 7.00 | 5.00 | 2.375 | 4.750 | 2.62 | 1.06 | .75 | 3.540 | MK 5518 | 1-8 x 7 | 236 | 64.0 |
| | | 1414-48-48 | | | | | | | 1-8 | | | ----- | --- | | |

① Order Separately