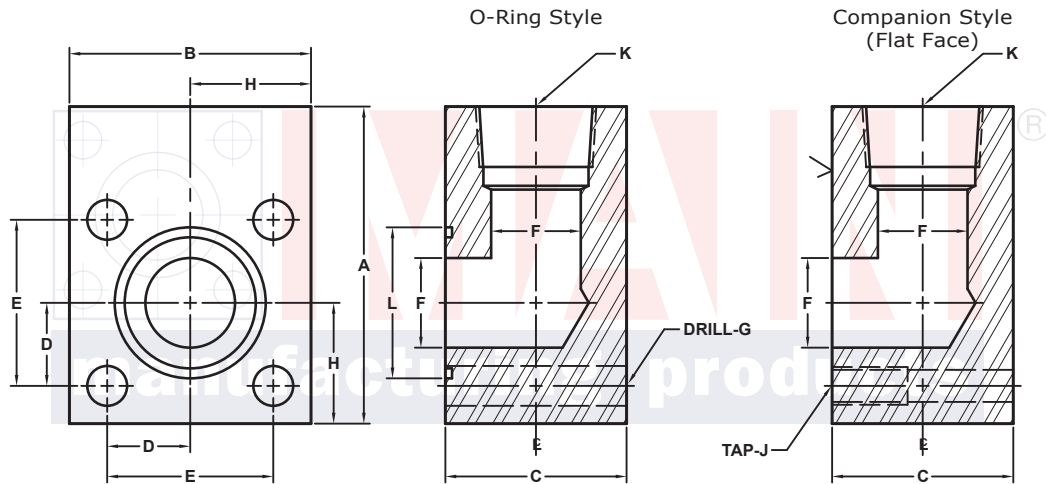


NPTF THREADED ELBOW FLANGES

3000 SERIES SQUARE BOLT PATTERN

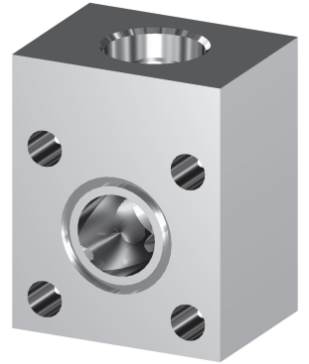
FLANGE SIZE	PIPE SIZE	PART NUMBER	A	B	C	D	E	F	G		H	K NPTF	MOUNTING KIT ^①			WT
									J				PART NO.	BOLT SIZE	O-RING	
1/2	1/2	1459-08-08	3.12	2.25	1.50	.719	1.438	.50	.41		1.12	1/2	MK 532	3/8-16 x 2 1/4	216	1.8
		1460-08-08							3/8-16				-----	-----	---	
3/4	3/4	1459-12-12	3.12	2.25	1.50	.719	1.438	.75	.41		1.12	3/4	MK 532	3/8-16 x 2 1/4	216	3.0
		1460-12-12							3/8-16				-----	-----	---	
1	1	1459-16-16	4.12	3.00	2.00	1.000	2.000	1.00	.53		1.50	1	MK 533	1/2-13 x 2 3/4	222	4.8
		1460-16-16							1/2-13				-----	-----	---	
1 1/4	1 1/4	1459-20-20	4.12	3.00	2.25	1.000	2.000	1.25	.53		1.50	1 1/4	MK 534	1/2-13 x 3	222	7.3
		1460-20-20							1/2-13				-----	-----	---	
1 1/2	1 1/2	1459-24-24	5.25	4.00	3.00	1.375	2.750	1.50	.66		2.00	1 1/2	MK 535	5/8-11 x 4	228	10.2
		1460-24-24							5/8-11				-----	-----	---	
2	2	1459-32-32	5.25	4.00	3.00	1.375	2.750	1.94	.66		2.00	2	MK 535	5/8-11 x 4	228	11.5
		1460-32-32							5/8-11				-----	-----	---	
2 1/2	2 1/2	1459-40-40	7.12	5.50	4.00	1.875	3.750	2.44	.94		2.75	2 1/2	MK 536	7/8-9 x 5 1/2	236	10.2
		1460-40-40							7/8-9				-----	-----	---	
3	3	1459-48-48	7.12	5.50	4.50	1.875	3.750	2.88	.94		2.75	3	MK 537	7/8-9 x 6	236	11.5
		1460-48-48							7/8-9				-----	-----	---	



MATERIAL: **Low Carbon Steel** ^⑤

Model 1459 / 1461

Model 1460 / 1462



3181 TRI-PARK DR. GRAND BLANC, MI 48439 800-521-7918 810-953-1380 FAX 810-953-1385 INFO@MAINMFG.COM

6000 SERIES SQUARE BOLT PATTERN

FLANGE SIZE	PIPE SIZE	PART NUMBER	A	B	C	D	E	F	G		H	K NPTF	MOUNTING KIT ^①			WT
									J				PART NO.	BOLT SIZE	O-RING	
1/2	1/2	1461-08-08	3.00	2.25	1.50	.719	1.438	.50	.41		1.12	1/2	MK 5515	3/8-16 x 2 1/4	210	2.0
		1462-08-08							3/8-16				-----	-----	---	
3/4	3/4	1461-12-12	3.50	2.50	1.75	.875	1.750	.62	.41		1.25	3/4	MK 542	3/8-16 x 2 1/2	214	3.3
		1462-12-12							3/8-16				-----	-----	---	
1	1	1461-16-16	4.50	3.00	2.00	1.000	2.000	.81	.53		1.50	1	MK 5516	1/2-13 x 2 3/4	219	5.7
		1462-16-16							1/2-13				-----	-----	---	
1 1/4	1 1/4	1461-20-20	5.00	4.00	3.00	1.375	2.750	1.12	.66		2.00	1 1/4	MK 5517	5/8-11 x 4	222	9.0
		1462-20-20							5/8-11				-----	-----	---	
1 1/2	1 1/2	1461-24-24	5.00	4.00	3.00	1.375	2.750	1.38	.66		2.00	1 1/2	MK 553	5/8-11 x 4	225	13.0
		1462-24-24							5/8-11				-----	-----	---	
2	2	1461-32-32	6.50	5.00	4.00	1.750	3.500	1.69	.78		2.50	2	MK 4580	3/4-10 x 5 1/2	228	22.8
		1462-32-32							3/4-10				-----	-----	---	

① Order Separately

⑤ May Contain Lead