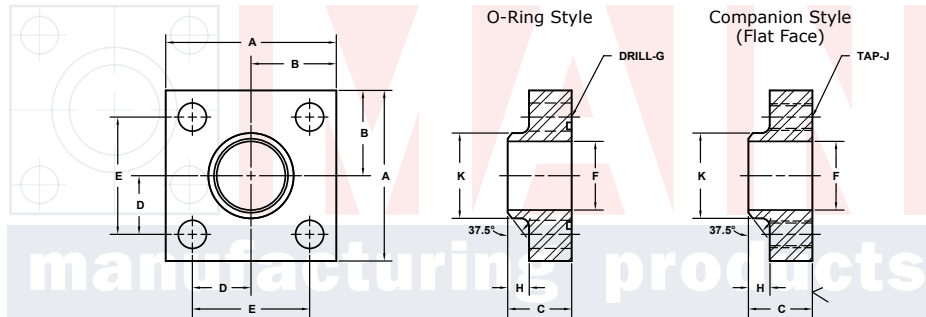


BUTT WELD IN-LINE FLANGES

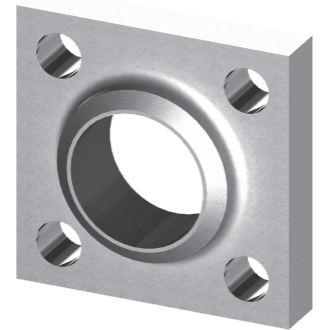
For Schedule 80 Pipe ©

3000 SERIES SQUARE BOLT PATTERN

FLANGE SIZE	PIPE SIZE	PART NUMBER	A	B	C	D	E	F	G		H	K	MOUNTING KIT®			WT
									J				PART NO.	SCREW SIZE	O-RING	
3/4	3/4	1399-12-12	2.25	1.12	1.25	.719	1.438	.75	.41	.38	1.12	MK 528	3/8-16 x 1 3/4	216	1.1	
		1400-12-12														3/8-16
1	1	1399-16-16	3.00	1.50	1.25	1.000	2.000	.94	.53	.38	1.38	MK 529	1/2-13 x 1 3/4	222	1.6	
		1400-16-16														1/2-13
1 1/4	1 1/4	1399-20-20	3.00	1.50	1.25	1.000	2.000	1.25	.53	.38	1.75	MK 529	1/2-13 x 1 3/4	222	1.5	
		1400-20-20														1/2-13
1 1/2	1 1/2	1399-24-24	4.00	2.00	1.50	1.375	2.750	1.50	.66	.50	2.00	MK 581	5/8-11 x 2	228	3.2	
		1400-24-24														5/8-11
2	2	1399-32-32	4.00	2.00	1.50	1.375	2.750	1.94	.66	.50	2.50	MK 581	5/8-11 x 2	228	3.1	
		1400-32-32														5/8-11
2 1/2	2 1/2	1399-40-40	5.50	2.75	1.75	1.875	3.750	2.32	.94	.50	3.00	MK 1519	7/8-9 x 2 1/2	236	7.3	
		1400-40-40														7/8-9
3	3	1399-48-48	5.50	2.75	1.75	1.875	3.750	2.90	.94	.50	3.50	MK 1519	7/8-9 x 2 1/2	236	6.7	
		1400-48-48														7/8-9
3 1/2	3 1/2	1399-56-56	6.00	3.00	1.75	2.125	4.250	3.36	.94	.50	4.00	MK 1577	7/8-9 x 2 1/2	240	9.7	
		1400-56-56														7/8-9
4	4	1399-64-64	7.00	3.50	2.00	2.500	5.000	3.83	1.06	.50	4.50	MK 1578	1-8 x 3	347	15.5	
		1400-64-64														1-8
5	5	1399-80-80	8.00	4.00	2.50	3.000	6.000	4.81	1.06	.50	5.62	MK 1579	1-8 x 3 1/2	355	25.2	
		1400-80-80														1-8
6	6	1399-96-96	10.00	5.00	2.50	3.500	7.000	5.75	1.31	.50	6.75	MK 5533	1 1/4-7 x 4	362	40.4	
		1400-96-96														1 1/4-7



MATERIAL: **Low Carbon Steel** Model 1399 / 1401 Model 1400 / 1402
 3181 TRI-PARK DR. GRAND BLANC, MI 48439 800-521-7918 810-953-1380 FAX 810-953-1385 INFO@MAINMFG.COM



6000 SERIES SQUARE BOLT PATTERN

FLANGE SIZE	PIPE SIZE	PART NUMBER	A	B	C	D	E	F	G		H	K	MOUNTING KIT®			WT
									J				PART NO.	SCREW SIZE	O-RING	
1/2	1/2	1401-08-08	2.25	1.12	1.50	.719	1.438	.53	.41	.50	.88	MK 2501	3/8-16 x 1 3/4	210	1.5	
		1402-08-08														3/8-16
3/4	3/4	1401-12-12	2.50	1.25	1.50	.875	1.750	.75	.41	.50	1.12	MK 2502	3/8-16 x 1 3/4	214	1.8	
		1402-12-12														3/8-16
1	1	1401-16-16	3.00	1.50	1.50	1.000	2.000	.94	.53	.50	1.38	MK 2503	1/2-13 x 2	219	2.4	
		1402-16-16														1/2-13
1 1/4	1 1/4	1401-20-20	4.00	2.00	1.75	1.375	2.750	1.25	.66	.50	1.75	MK 2504	5/8-11 x 2 1/2	222	5.1	
		1402-20-20														5/8-11
1 1/2	1 1/2	1401-24-24	4.00	2.00	2.00	1.375	2.750	1.50	.66	.50	2.00	MK 2505	5/8-11 x 2 3/4	225	6.0	
		1402-24-24														5/8-11
2	2	1401-32-32	5.00	2.50	2.25	1.750	3.500	1.94	.78	.50	2.50	MK 2506	3/4-10 x 3 1/2	228	11.0	
		1402-32-32														3/4-10
2 1/2	2 1/2	1401-40-40	5.50	2.75	2.25	1.875	3.750	2.32	.94	.50	3.00	MK 2507	7/8-9 x 3 1/2	232	12.5	
		1402-40-40														7/8-9
3	3	1401-48-48	7.00	3.50	2.50	2.375	4.750	2.90	1.06	.50	3.50	MK 2508	1-8 x 4	236	23.0	
		1402-48-48														1-8
3 1/2	3 1/2	1401-56-56	8.00	4.00	3.50	2.750	5.500	3.36	1.31	1.00	4.00	MK 2509	1 1/4-7 x 5	342	37.0	
		1402-56-56														1 1/4-7
4	4	1401-64-64	8.50	4.25	3.50	3.000	6.000	3.83	1.31	1.00	4.50	MK 2510	1 1/4-7 x 5	346	41.0	
		1402-64-64														1 1/4-7
5	5	1401-80-80	10.00	5.00	4.00	3.625	7.250	4.81	1.56	1.00	5.62	MK 2511	1 1/2-6 x 6	353	65.5	
		1402-80-80														1 1/2-6

① Order Separately

© Schedules 40, 160 and XXS also Stocked. Other Pipe and Tube Sizes are Available