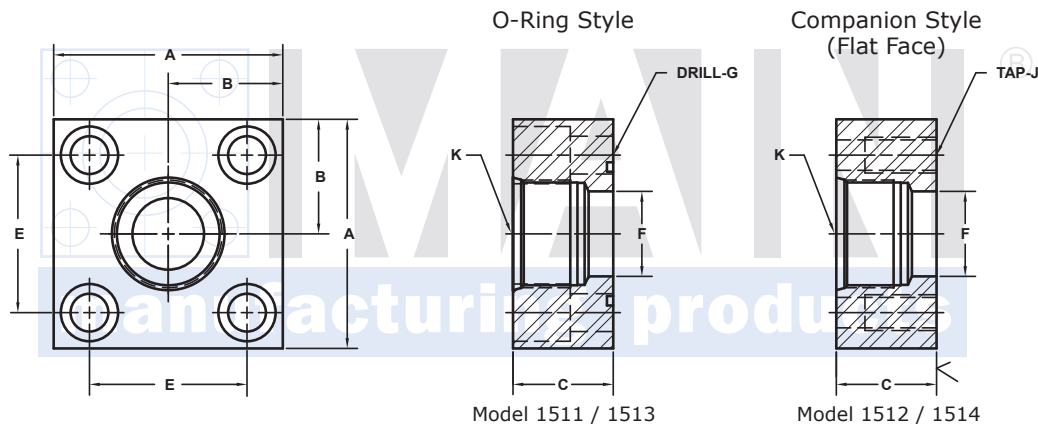
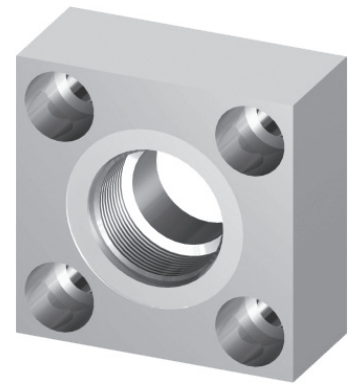


SAE J1926 THREADED IN-LINE FLANGES

JIS B 2291 BOLT PATTERN (210K)										TYPE SH(A & B)				
FLANGE SIZE	ORB	PART NUMBER	A	B	C	Emm	E	F	Gmm Jmm	K	MOUNTING KIT ^①			WT
											PART NO.	SCREW SIZE	O-RING	
15	-8	1511-08-08M	2.50	1.25	1.25	40.0	1.574	.63	11.0	3/4-16	MKM 4586	M10 x 35	G25	1.9
		1512-08-08M							M10x1.5					
20	-10	1511-12-10M	2.75	1.38	1.50	45.0	1.772	.50	11.0	7/8-14	MKM 5505	M10 x 40	G30	2.4
		1512-12-10M							M10x1.5					
20	-12	1511-12-12M	2.75	1.38	1.50	45.0	1.772	.75	11.0	1 1/16-12	MKM 5505	M10 x 40	G30	2.3
		1512-12-12M							M10x1.5					
25	-14	1511-16-14M	3.25	1.62	1.50	53.0	2.086	.75	13.0	1 3/16-12	MKM 5506	M12 x 40	G35	3.8
		1512-16-14M							M12x1.75					
25	-16	1511-16-16M	3.25	1.62	1.50	53.0	2.086	1.00	13.0	1 5/16-12	MKM 5506	M12 x 40	G35	3.6
		1512-16-16M							M12x1.75					
32	-20	1511-20-20M	3.50	1.75	1.50	63.0	2.480	1.25	13.0	1 5/8-12	MKM 5526	M12 x 40	G40	4.5
		1512-20-20M							M12x1.75					
40	-24	1511-24-24M	4.00	2.00	1.75	70.0	2.756	1.50	18.0	1 7/8-12	MKM 4590	M16 x 45	G50	6.1
		1512-24-24M							M16x2					
50	-32	1511-32-32M	4.50	2.25	1.75	80.0	3.150	1.94	18.0	2 1/2-12	MKM 4591	M16 x 45	G60	7.3
		1512-32-32M							M16x2					



MATERIAL:
Low Carbon Steel[®]



3181 TRI-PARK DR. GRAND BLANC, MI 48439 800-521-7918 810-953-1380 FAX 810-953-1385 INFO@MAINMFG.COM

JIS B 2291 BOLT PATTERN (210K)										TYPE SS(A & B)				
FLANGE SIZE	ORB	PART NUMBER	A	B	C	Emm	E	F	Gmm Jmm	K	MOUNTING KIT ^①			WT
											PART NO.	SCREW SIZE	O-RING	
15	-8	1513-08-08M	2.25	1.12	1.25	36.0	1.417	.63	11.0	3/4-16	MKM 4586	M10 x 35	G25	1.4
		1514-08-08M							M10x1.5					
20	-10	1513-12-10M	2.50	1.25	1.50	40.0	1.574	.50	11.0	7/8-14	MKM 5505	M10 x 40	G30	2.0
		1514-12-10M							M10x1.5					
20	-12	1513-12-12M	2.50	1.25	1.50	40.0	1.574	.75	11.0	1 1/16-12	MKM 5505	M10 x 40	G30	1.9
		1514-12-12M							M10x1.5					
25	-14	1513-16-14M	3.00	1.50	1.50	48.0	1.890	.75	13.0	1 3/16-12	MKM 5506	M12 x 40	G35	2.7
		1514-16-14M							M12x1.75					
25	-16	1513-16-16M	3.00	1.50	1.50	48.0	1.890	1.00	13.0	1 5/16-12	MKM 5506	M12 x 40	G35	2.6
		1514-16-16M							M12x1.75					
32	-20	1513-20-20M	3.25	1.62	1.50	56.0	2.205	1.25	13.0	1 5/8-12	MKM 5526	M12 x 40	G40	3.0
		1514-20-20M							M12x1.75					
40	-24	1513-24-24M	3.75	1.88	1.75	65.0	2.559	1.50	18.0	1 7/8-12	MKM 4590	M16 x 45	G50	4.3
		1514-24-24M							M16x2					
50	-32	1513-32-32M	4.00	2.00	1.75	73.0	2.874	1.94	18.0	2 1/2-12	MKM 4591	M16 x 45	G60	4.5
		1514-32-32M							M16x2					

① Order Separately

⑤ May Contain Lead

NOTE: The Pressure Rating of the Assembly Should NOT Exceed the Lower of the Flange Pad or the Fitting. Check the Fitting Manufacturer for Details.

NOTE: Dimensions are in Inches Unless Otherwise Noted.

© Copyright MAIN Mfg. 2019