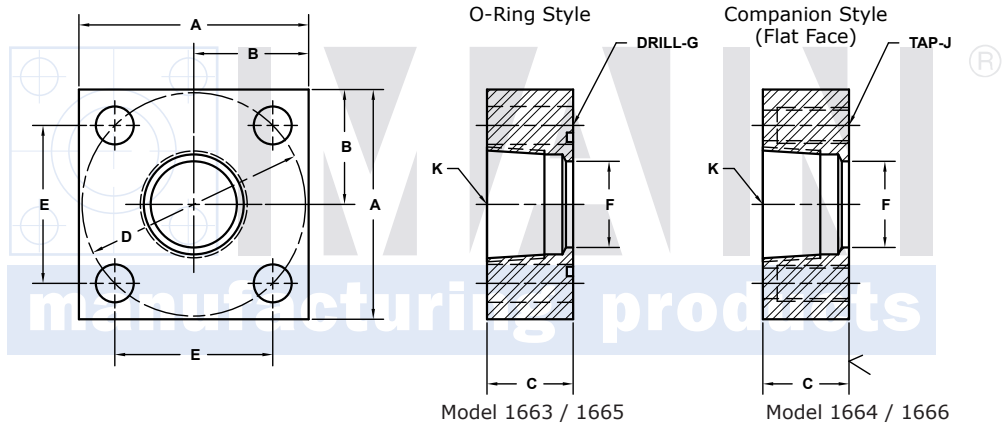
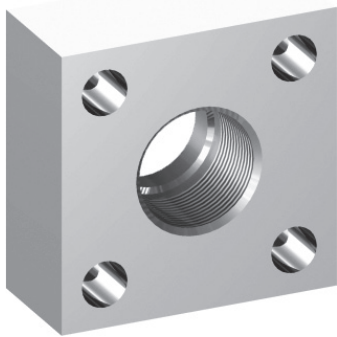


NPTF THREADED IN-LINE FLANGES

ISO 6164			250 BAR SERIES																								
FLANGE SIZE	PIPE SIZE	PART NUMBER	A	B	C	Dmm	E	F	Gmm		K	MOUNTING KIT®			WT												
									Jmm			PART NO.	BOLT SIZE	O-RING													
10	3/8	1663-06-06M	PLEASE USE THE 400 BAR SERIES FOUND BELOW. THE BLOCK SIZE, BOLT PATTERN AND THE O-RING ARE IDENTICAL IN FLANGE SIZES 10 - 38. IF YOU HAVE ANY QUESTIONS PLEASE CALL ENGINEERING AT 1-800-521-7918.																								
		1664-06-06M																									
13	1/2	1663-08-08M																									
		1664-08-08M																									
19	3/4	1663-12-12M																									
		1664-12-12M																									
25	1	1663-16-16M																									
		1664-16-16M																									
32	1 1/4	1663-20-20M																									
		1664-20-20M																									
38	1 1/2	1663-24-24M																									
		1664-24-24M																									
51	2	1663-32-32M														4.00	2.00	1.75	98	2.728	1.94	17.5	2	MKM 3531	M16 x 65	228	5.0
		1664-32-32M																			M16x2						
56	2 1/2	1663-40-40M	4.75	2.38	2.00	118	3.285	2.44	22.0	2 1/2	MKM 5573	M20 x 80	232	8.0													
		1664-40-40M						M20x2.5																			
63	3	1663-48-48M	5.50	2.75	2.25	145	4.037	2.94	22.0	3	MKM 5558	M20 x 90	237	13.0													
		1664-48-48M						M20x2.5																			

MATERIAL:
Low Carbon Steel®



3181 TRI-PARK DR. GRAND BLANC, MI 48439 800-521-7918 810-953-1380 FAX 810-953-1385 INFO@MAINMFG.COM

ISO 6164			400 BAR SERIES																	
FLANGE SIZE	PIPE SIZE	PART NUMBER	A	B	C	Dmm	E	F	Gmm		K	MOUNTING KIT®			WT					
									Jmm			PART NO.	BOLT SIZE	O-RING						
10	3/8	1665-06-06M	1.50	.75	1.25	35	.974	.44	6.5	3/8	MKM 5564	M6 x 40	115	.7						
		1666-06-06M							M6x1											
13	1/2	1665-08-08M							1.75	.88	1.25	42	1.170	.50	9.0	1/2	MKM 519	M8 x 45	210	.9
		1666-08-08M													M8x1.25					
19	3/4	1665-12-12M							2.00	1.00	1.25	50	1.392	.75	9.0	3/4	MKM 5565	M8 x 45	214	1.2
		1666-12-12M													M8x1.25					
25	1	1665-16-16M							2.50	1.25	1.50	62	1.726	1.00	11.0	1	MKM 5566	M10 x 55	219	2.1
		1666-16-16M													M10x1.5					
32	1 1/4	1665-20-20M							3.00	1.50	1.50	73	2.032	1.25	13.5	1 1/4	MKM 522	M12 x 55	222	2.9
		1666-20-20M													M12x1.75					
38	1 1/2	1665-24-24M							3.50	1.75	1.75	85	2.366	1.50	17.5	1 1/2	MKM 527	M16 x 65	225	4.4
		1666-24-24M													M16x2					
51	2	1665-32-32M							4.00	2.00	1.75	98	2.728	1.69	17.5	2	MKM 6503	M16 x 70	331	5.5
		1666-32-32M													M16x2					
56	2 1/2	1665-40-40M	4.75	2.38	2.00	118	3.285	2.12	22.0	2 1/2	MKM 5538	M20 x 80	335	8.6						
		1666-40-40M							M20x2.5											
63	3	1665-48-48M	6.00	3.00	2.50	145	4.037	2.32	26.0	3	MKM 5567	M24 x 100	337	18.0						
		1666-48-48M							M24x3											
70	3 1/2	1665-56-56M	6.50	3.25	2.50	160	4.454	2.73	26.0	3 1/2	MKM 5562	M24 x 100	340	21.0						
		1666-56-56M							M24x3											
80	4	1665-64-64M	7.00	3.50	2.85	175	4.872	3.15	33.0	4	MKM 5563	M30 x 120	341	25.5						
		1666-64-64M							M30x3.5											

① Order Separately

⑤ May Contain Lead