

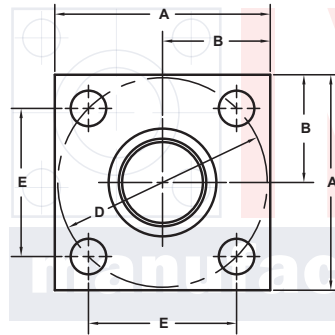
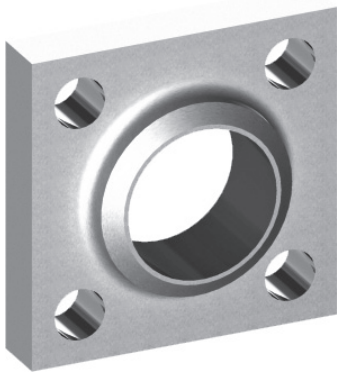
BUTT WELD IN-LINE FLANGES

For Schedule 80 Pipe ®

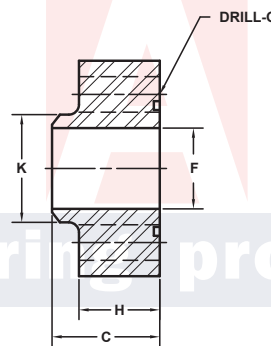
ISO 6164 BOLT PATTERN										250 BAR SERIES					
FLANGE SIZE	PIPE SIZE	PART NUMBER	A	B	C	Dmm	E	F	Gmm Jmm	H	K	MOUNTING KIT®			WT
												PART NO.	SCREW SIZE	O-RING	
10	3/8	1639-06-06M	4.00	2.00	2.25	98	2.728	1.94	17.5 M16x2	1.60	2.50	MKM 3531	M16 x 65	228	5.7
		1640-06-06M													
13	1/2	1639-08-08M													
		1640-08-08M													
19	3/4	1639-12-12M													
		1640-12-12M													
25	1	1639-16-16M													
		1640-16-16M													
32	1 1/4	1639-20-20M													
		1640-20-20M													
38	1 1/2	1639-24-24M													
		1640-24-24M													
51	2	1639-32-32M													
		1640-32-32M													
56	2 1/2	1639-40-40M	4.75	2.38	2.50	118	3.285	2.32	22.0 M20x2.5	1.88	3.00	MKM 5573	M20 x 80	232	9.0
		1640-40-40M													
63	3	1639-48-48M	5.50	2.75	3.00	145	4.037	2.90	22.0 M20x2.5	2.28	3.50	MKM 5558	M20 x 90	237	14.8
		1640-48-48M													

PLEASE USE THE 400 BAR SERIES FOUND BELOW. THE BLOCK SIZE, BOLT PATTERN AND THE O-RING ARE IDENTICAL IN FLANGE SIZES 10 - 38. IF YOU HAVE ANY QUESTIONS PLEASE CALL ENGINEERING AT 1-800-521-7918.

MATERIAL:
Low Carbon Steel

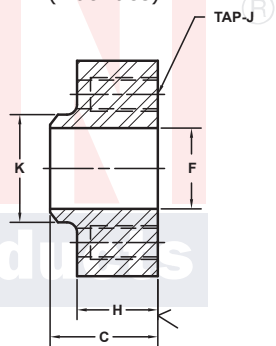


O-Ring Style



Model 1639 / 1643

Companion Style (Flat Face)



Model 1640 / 1644

3181 TRI-PARK DR. GRAND BLANC, MI 48439 800-521-7918 810-953-1380 FAX 810-953-1385 INFO@MAINMFG.COM

ISO 6164 BOLT PATTERN										400 BAR SERIES					
FLANGE SIZE	PIPE SIZE	PART NUMBER	A	B	C	Dmm	E	F	Gmm Jmm	H	K	MOUNTING KIT®			WT
												PART NO.	SCREW SIZE	O-RING	
10	3/8	1643-06-06M	1.50	.75	1.00	35	.974	.42	6.5 M6x1	.73	.68	MKM 5546	M6 x 30	115	.5
		1644-06-06M													
13	1/2	1643-08-08M	1.75	.88	1.12	42	1.170	.53	9.0 M8x1.25	.81	.88	MKM 512	M8 x 35	210	.7
		1644-08-08M													
19	3/4	1643-12-12M	2.00	1.00	1.25	50	1.392	.75	9.0 M8x1.25	.90	1.12	MKM 5559	M8 x 35	214	1.0
		1644-12-12M													
25	1	1643-16-16M	2.50	1.25	1.50	62	1.726	.94	11.0 M10x1.5	1.00	1.38	MKM 503	M10 x 40	219	1.5
		1644-16-16M													
32	1 1/4	1643-20-20M	3.00	1.50	1.75	73	2.032	1.25	13.5 M12x1.75	1.20	1.75	MKM 1502	M12 x 50	222	2.5
		1644-20-20M													
38	1 1/2	1643-24-24M	3.50	1.75	2.00	85	2.366	1.50	17.5 M16x2	1.44	2.00	MKM 515	M16 x 60	225	4.0
		1644-24-24M													
51	2	1643-32-32M	4.00	2.00	2.25	98	2.728	1.94	17.5 M16x2	1.60	2.50	MKM 5560	M16 x 65	331	5.7
		1644-32-32M													
56	2 1/2	1643-40-40M	4.75	2.38	2.75	118	3.285	2.32	22.0 M20x2.5	1.98	3.00	MKM 5538	M20 x 80	335	9.5
		1644-40-40M													
63	3	1643-48-48M	6.00	3.00	3.00	145	4.037	2.62	26.0 M24x3	2.12	3.50	MKM 5561	M24 x 90	337	17.2
		1644-48-48M													
70	3 1/2	1643-56-56M	6.50	3.25	3.50	160	4.454	2.73	26.0 M24x3	2.46	4.00	MKM 5562	M24 x 100	340	25.0
		1644-56-56M													
80	4	1643-64-64M	7.00	3.50	4.00	175	4.872	3.15	33.0 M30x3.5	2.85	4.50	MKM 5563	M30 x 120	341	31.5
		1644-64-64M													

① Order Separately

® Other Pipe and Tube Sizes are Available